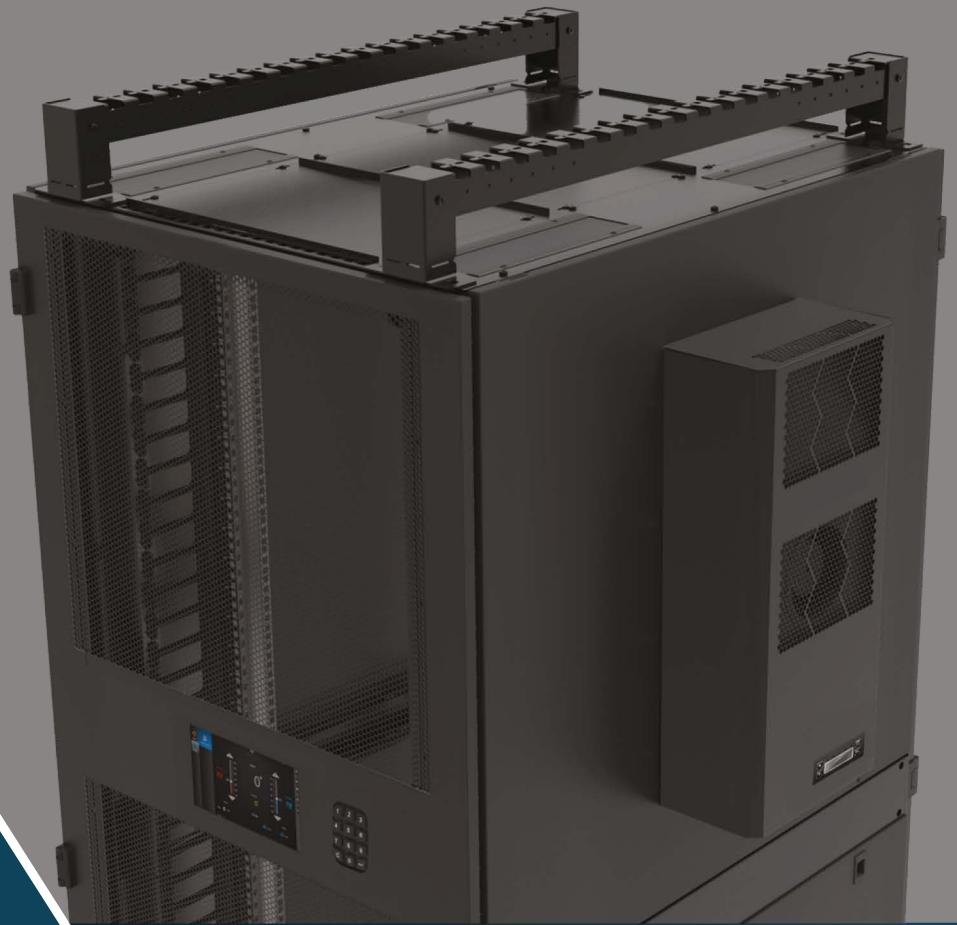




SEMY
ENGINEERING & CONSULTING GMBH

PRODUCT CATALOGUE



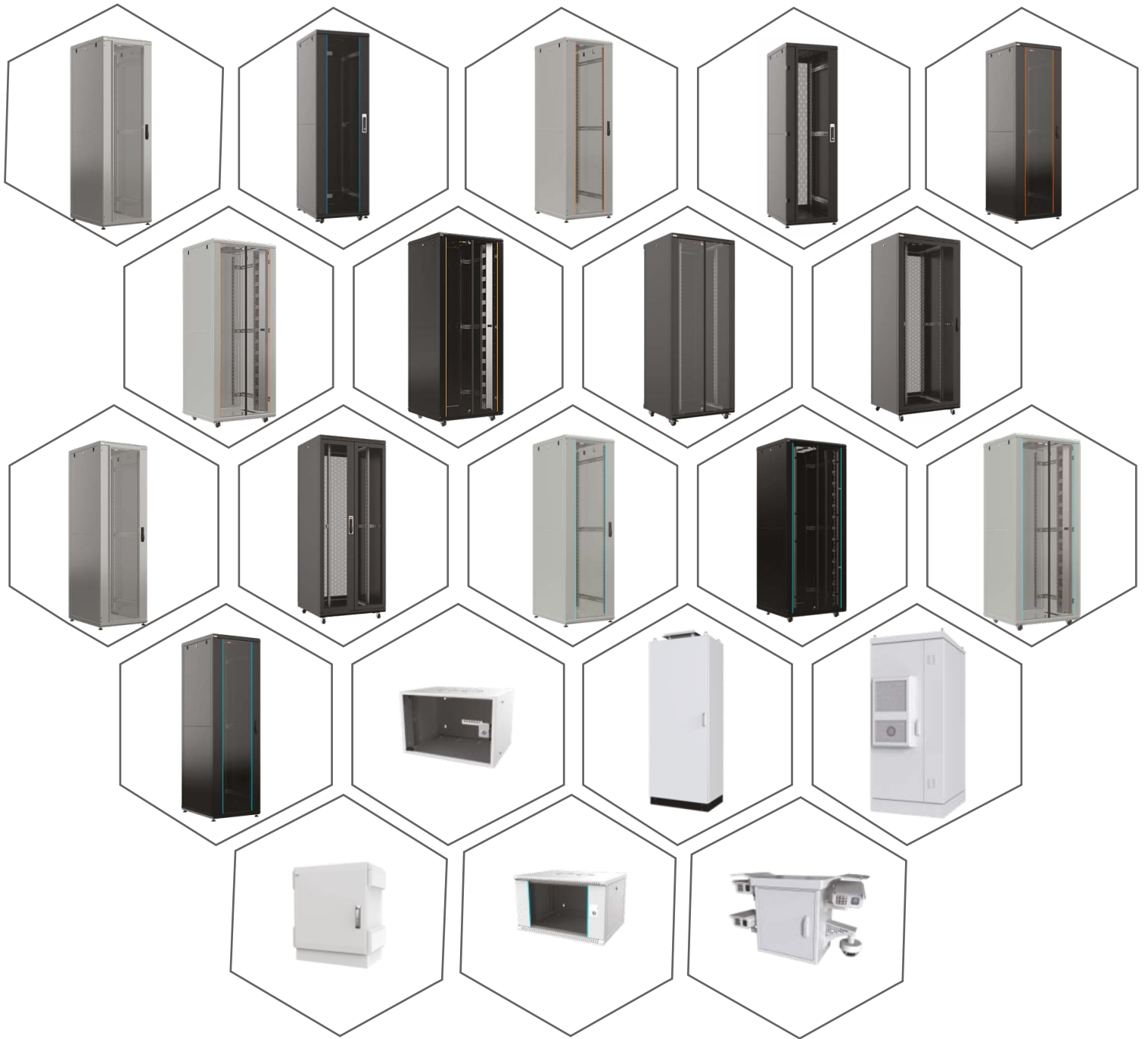
TIME TO CHANGE EVERYTHING

www.semy.at



LET'S MAKE THINGS BETTER

SEMY
ENGINEERING & CONSULTING GMBH



www.semy.at

TABLE OF CONTENT

01	ABOUT US	05
02	FORCE-X FEATURES	06
03	FORCE-XN FREE STANDING NETWORK	07
04	FORCE-XS FREE STANDING SERVER	11
05	LIN-X FATURES	16
06	LIN-XN FREE STANDING NETWORK	17
07	LIN-XS FREE STANDING SERVER	21
08	SMART- X MICRO DATA CENTER	26
09	WIN-BOX WALL TYPE	32
10	DOUBLE SECTION WALLMOUNT CABINET	36
11	WIN-E WALL TYPE ECO CABINET	37
12	WIN - TT WALL TYPE CABINET	39
13	SO-BOX 19" SOHO WALL TYPE	41
14	SO-BOX 10" SOHO WALL TYPE	44
15	19" WALL TYPE BRACKET	47
16	OPEN SYSTEM WALL TYPE CABINET	48
17	PHONE REGLET BOX	49
18	COLLECTOR PANEL	52
19	SLIM-BOX	54
20	RESIDANTIAL WALL TYPE CABINET	56

21	LAPTOP CABINET	58
22	UNDER FLUSH PANEL	59
23	BOARD WITH BASE SHEET	60
24	IP PANO PANELS	61
25	DVR-BOX CABINET	64
26	IP 54 PANELS	68
27	IP 55 PANELS	69
28	IP 66 PANELS	70
29	IP 55 FREE STANDING CABINET	71
30	MODULAR AUTOMATION PANELS	75
31	MONOBLOK PANELS	79
32	SECURITY CAMERA CABINET	81
33	CITY SECURITY CABINET	83
34	SINGALIZATION BOARD	84
35	OPEN SYSTEM CABINET	86
36	OPEN SYSTEM SWING CABINET	88
37	DATA CENTER SOLUTIONS	89
38	F-CENTER FIBER CABINET	93



SEMY

ENGINEERING & CONSULTING GMBH



SEMY ENGINEERING & CONSULTING GMBH

SEMY Engineering & Consulting GmbH was founded in 2020 and is active in various industries. In addition to services, SEMY also offers various standard products for B2B and B2C. Custom-made products and systems are also possible with us.

Since the beginning of 2023, we have also been supplying cabinet and enclosure systems. Our enclosure systems can be used in various industries such as electrical engineering, control panel construction, e-mobility, the IT sector, and many others.

We can equip and manufacture the cabinets according to your requirements. We can also design and manufacture custom-made solutions.

Customer designs are also checked for feasibility and manufactured by us. Please contact us if we have sparked your interest, and as specialists, we offer you our free consultation.



FREE STANDING TYPE CABINET GENERAL FEATURES

Force-X Series Server and Network Cabinets;

Force-Xs server represents perforated cover and Force-Xn network glass cover products. Force-X series are the most suitable products that meet your expectations with its strong aesthetic structure that provides maximum ventilation for your server storage and other applications.

In addition, with its heavy-duty construction structure, it allows your heavy server equipment to be hosted. With its professional structure and aesthetic appearance, it is a highly suitable design that is thought to meet the needs of customers in your Data Center applications and fulfills data center criteria.

FORCE-XS SERVER STANDARD CONFIGURATION

- 75% perforated front door with mechanism with handle and lock
- Front cover with lever lock
- Latch-lock back cover
- Side covers with latch
- 4 pieces of heavy type 19" device props with depth adjustment
- 4 adjustable pinion feet
- 55x25 2 wheel modules with 2 brakes and 2 without brakes (standard)
- In 600mm wide cabinets, there are 2 cable entries in total, 1 on the lower chassis and 1 on the upper side, 3 pieces on the lower chassis and 3 pieces on the upper side in 800mm wide cabinets. A total of 6 cable passages were provided.



FORCE-XN STANDARD CONFIGURATION

- Aluminum and metal framed glass front door
- Colorful decorative frame lath
- Front cover with lever lock
- Latch-lock back cover
- 4 pieces of heavy type 19" device props with depth adjustment
- 4 adjustable pinion feet
- In 600mm wide cabinets, there are 2 cable entries in total, 1 on the lower chassis and 1 on the upper side, 3 pieces on the lower chassis and 3 pieces on the upper side in 800mm wide cabinets. A total of 6 cable passages were provided.



Force-x series server rack cabinet system is designed and manufactured for demanding data center environments. It is designed to accommodate all 19" devices and servers produced by major brands such as HP, Dell, Sun, Cisco, Juniper, IBM, Compaq.

TECHNICAL INFORMATION

- Material: Steel sheet
- Width: W= 600, 800 mm
- Height: 11 different U heights; 12'U - 47U
- Depth: D= 600, 800, 1000 mm
- Color options: RAL 9005 black or RAL 7035 light gray
- Lockable and removable side panels for easy transportation
- Glass front cover, standard lockable metal back panel (see product catalog for other options)
- Powerful Dynamic design
- Extra productive space
- Adjustable Front and rear device mounting brackets
- Ease of installation



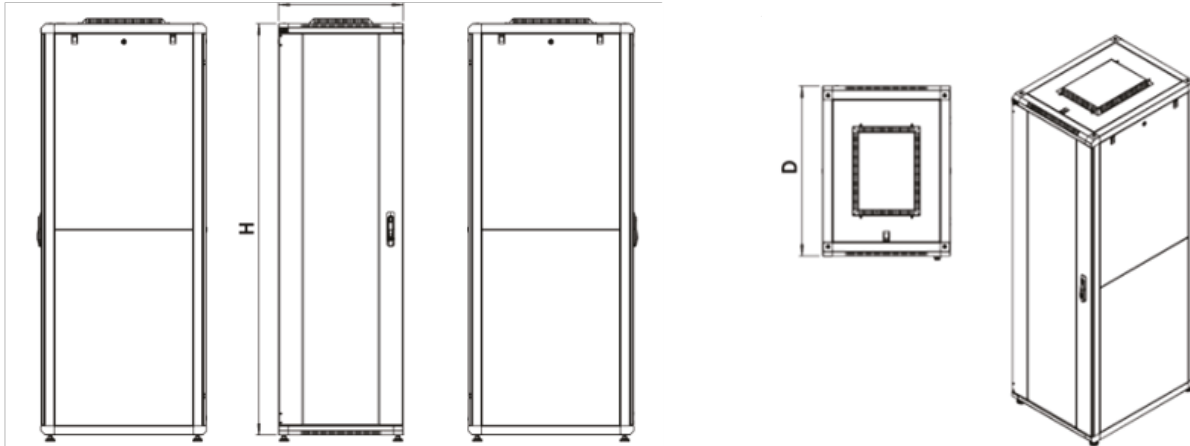
FORCE-XN

FORCE-XN | 19" FREE STANDING CABINET W = 600



Force-x series, with rich features optimized for easy installation, cable organization, power distribution integration and airflow maximization, is a multifunctional cabinet shaped by customer feedback from all over the world. It is designed to meet the needs of current IT market trends and applications, from high-density computing and networking to broadcasting and audio-video. By focusing on cooling, power distribution, cable management and environmental monitoring, the Force-x series provides reliable environments for mission critical equipment.





Product Code	Product Description W=600 D=600 mm	Dimensions (W*H*D)	Product Kg
SM.FORN12U66.C0	12U 600x600 Force-XN Free Standing Cabinet with front glass & rear metal cover	600x1015x600 mm	30 kg
SM.FORN16U66.C0	16U 600x600 Force-XN Free Standing Cabinet with front glass & rear metal cover	600x1180x600 mm	36 kg
SM.FORN22U66.C0	22U 600x600 Force-XN Free Standing Cabinet with front glass & rear metal cover	600x1015x600 mm	45 kg
SM.FORN26U66.C0	26U 600x600 Force-XN Free Standing Cabinet with front glass & rear metal cover	600x1180x600 mm	50 kg
SM.FORN32U66.C0	32U 800x800 Force-XN Free Standing Cabinet with front glass & rear metal cover	600x1442x600 mm	60 kg
SM.FORN36U66.C0	36U 600x600 Force-XN Free Standing Cabinet with front glass & rear metal cover	600x1620x600 mm	68 kg
SM.FORN39U66.C0	39U 600x600 Force-XN Free Standing Cabinet with front glass & rear metal cover	600x1750x600 mm	72 kg
SM.FORN42U66.C0	42U 600x600 Force-XN Free Standing Cabinet with front glass & rear metal cover	600x1890x600 mm	76 kg
SM.FORN47U88.C0	47U 600x600 Force-XN Free Standing Cabinet with front glass & rear metal cover	600x2110x600 mm	84 kg
Product Code	Product Description W=600 D=800 mm	Dimensions (W*H*D)	Product Kg
SM.FORN12U68.C0	12U 600x800 Force-XN Free Standing Cabinet with front glass & rear metal cover	600x1015x1800 mm	35 kg
SM.FORN16U68.C0	16U 600x800 Force-XN Free Standing Cabinet with front glass & rear metal cover	600x1180x800 mm	42 kg
SM.FORN22U68.C0	22U 600x800 Force-XN Free Standing Cabinet with front glass & rear metal cover	600x1015x800mm	50 kg
SM.FORN26U68.C0	26U 600x800 Force-XN Free Standing Cabinet with front glass & rear metal cover	600x1180x800 mm	60 kg
SM.FORN32U68.C0	32U 600x800 Force-XN Free Standing Cabinet with front glass & rear metal cover	600x1442x800mm	70 kg
SM.FORN36U68.C0	36U 600x800 Force-XN Free Standing Cabinet with front glass & rear metal cover	600x1620x800mm	78 kg
SM.FORN39U68.C0	39U 600x800 Force-XN Free Standing Cabinet with front glass & rear metal cover	600x1750x1800mm	85 kg
SM.FORN42U68.C0	42U 600x800 Force-XN Free Standing Cabinet with front glass & rear metal cover	600x1890x800mm	90 kg
SM.FORN47U68.C0	47U 600x800 Force-XN Free Standing Cabinet with front glass & rear metal cover	600x2110x1800 mm	98 kg

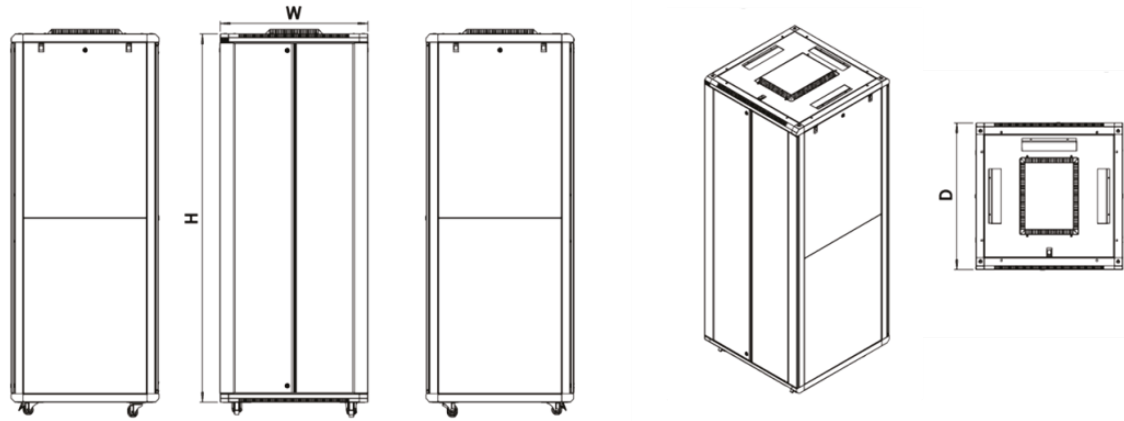
C0 = Color Code ,C 0 2 refers to Light Gray RAL 7035 and C 0 1 to Black RAL 9005, please add it when ordering !



FORCE-XN

FORCE-XN | 19" FREE STANDING CABINET W=800





Product Code	Product Description W=800 D=800 mm	Dimensions (W*H*D)	Product Kg
SM.FORN12U88.C0	12U 800x800 Force-XN Free Standing Cabinet with front glass & rear metal cover	800x1015x800 mm	41 kg
SM.FORN16U88.C0	16U 800x800 Force-XN Free Standing Cabinet with front glass & rear metal cover	800x1180x800 mm	50 kg
SM.FORN22U88.C0	22U 800x800 Force-XN Free Standing Cabinet with front glass & rear metal cover	800x1015x800 mm	60 kg
SM.FORN26U88.C0	26U 800x800 Force-XN Free Standing Cabinet with front glass & rear metal cover	800x1180x800 mm	70 kg
SM.FORN32U88.C0	32U 800x800 Force-XN Free Standing Cabinet with front glass & rear metal cover	800x1442x800 mm	84 kg
SM.FORN36U88.C0	36U 800x800 Force-XN Free Standing Cabinet with front glass & rear metal cover	800x1620x800 mm	90 kg
SM.FORN39U88.C0	39U 800x800 Force-XN Free Standing Cabinet with front glass & rear metal cover	800x1750x800 mm	100 kg
SM.FORN42U88.C0	42U 800x800 Force-XN Free Standing Cabinet with front glass & rear metal cover	800x1890x800 mm	105 kg
SM.FORN47U88.C0	47U 800x800 Force-XN Free Standing Cabinet with front glass & rear metal cover	800x2110x800 mm	112 kg
Product Code	Product Description W=800 D=1000 mm	Dimensions (W*H*D)	Product Kg
SM.FORN12U81.C0	12U 800x1000 Force-XN Free Standing Cabinet with front glass & rear metal cover	800x1015x1000 mm	45 kg
SM.FORN16U81.C0	16U 800x1000 Force-XN Free Standing Cabinet with front glass & rear metal cover	800x1180x1000 mm	55 kg
SM.FORN22U81.C0	22U 800x1000 Force-XN Free Standing Cabinet with front glass & rear metal cover	800x1015x1000mm	68 kg
SM.FORN26U81.C0	26U 800x1000 Force-XN Free Standing Cabinet with front glass & rear metal cover	800x1180x1000 mm	78 kg
SM.FORN32U81.C0	32U 800x1000 Force-XN Free Standing Cabinet with front glass & rear metal cover	800x1442x1000mm	92 kg
SM.FORN36U81.C0	36U 800x1000 Force-XN Free Standing Cabinet with front glass & rear metal cover	800x1620x1000mm	102 kg
SM.FORN39U81.C0	39U 800x1000 Force-XN Free Standing Cabinet with front glass & rear metal cover	800x1750x1000mm	110 kg
SM.FORN42U81.C0	42U 800x1000 Force-XN Free Standing Cabinet with front glass & rear metal cover	800x1890x1000mm	115 kg
SM.FORN47U81.C0	47U 800x1000 Force-XN Free Standing Cabinet with front glass & rear metal cover	800x2110x1000 mm	125 kg

C0 = Color Code ,C 0 2 refers to Light Gray RAL 7035 and C 0 1 to Black RAL 9005, please add it when ordering !

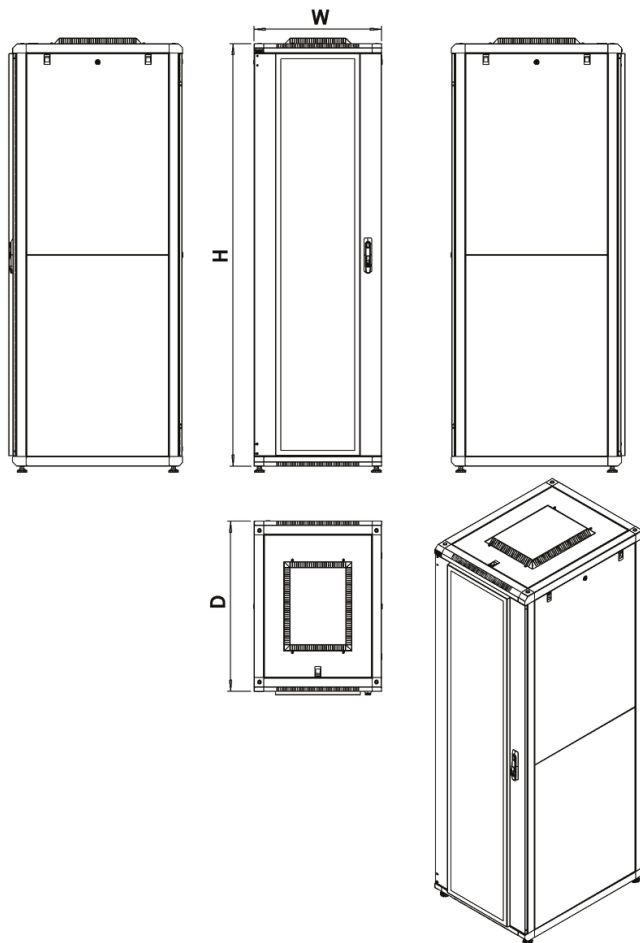


FORCE-XS

FORCE-XS | 19" SEVER FREE STANDING CABINET W = 600



W=600X1000 SERVER-FREE STANDING CABINET



Product Code	Product Description W=600 D=1000 mm	Dimensions (W*H*D)	Product Kg
SM.FORS16U61.C0	16U 600x1000 Front & Rear 80% Perforated Force-XS Free Standing Cabinet	600x745x1000 mm	65 kg
SM.FORS22U61.C0	22U 600x1000 Front & Rear 80% Perforated Force-XS Free Standing Cabinet	600x1015x1000 mm	70 kg
SM.FORS26U61.C0	26U 600x1000 Front & Rear 80% Perforated Force-XS Free Standing Cabinet	600x1180x1000mm	77 kg
SM.FORS32U61.C0	32U 600x1000 Front & Rear 80% Perforated Force-XS Free Standing Cabinet	600x1442x1000 mm	89 kg
SM.FORS36U61.C0	36U 600x1000 Front & Rear 80% Perforated Force-XS Free Standing Cabinet	600x1620x1000 mm	97 kg
SM.FORS39U61.C0	39U 600x1000 Front & Rear 80% Perforated Force-XS Free Standing Cabinet	600x1750x1000 mm	101 kg
SM.FORS42U61.C0	42U 600x1000 Front & Rear 80% Perforated Force-XS Free Standing Cabinet	600x1890x1000 mm	107 kg
SM.FORS47U61.C0	47U 600x1000 Front & Rear 80% Perforated Force-XS Free Standing Cabinet	600x2110x1000 mm	115 kg

C0 = Color Code ,C 0 2 refers to Light Gray RAL 7035 and C 0 1 to Black RAL 9005, please add it when ordering !

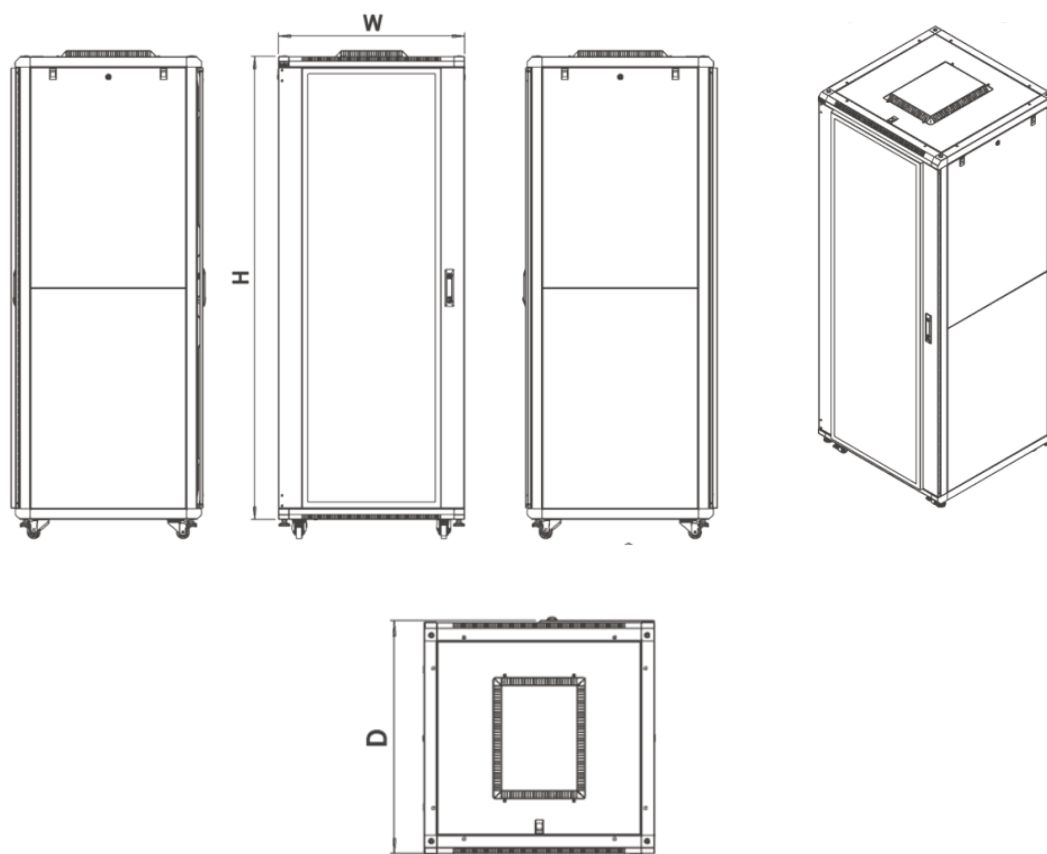


FORCE-XS

FORCE-XS | 19" FREE STANDING SEVER CABINET W = 800



W=800X1000 SERVER-FREE STANDING CABINET



Product Code	Product Description W=800 D=1000 mm	Dimensions (W*H*D)	Product Kg
SM.FORS16U61.C0	16U800x1000 Front & Rear 80% Perforated Force-XS Free Standing Cabinet	800x745x1000 mm	65 kg
SM.FORS22U61.C0	22U 800x1000 Front & Rear 80% Perforated Force-XS Free Standing Cabinet	800x1015x1000 mm	78 kg
SM.FORS26U61.C0	26U 800x1000 Front & Rear 80% Perforated Force-XS Free Standing Cabinet	800x1180x1000mm	88 kg
SM.FORS32U61.C0	32U 800x1000 Front & Rear 80% Perforated Force-XS Free Standing Cabinet	800x1442x1000 mm	100 kg
SM.FORS36U61.C0	36U 800x1000 Front & Rear 80% Perforated Force-XS Free Standing Cabinet	800x1620x1000 mm	110 kg
SM.FORS39U61.C0	39U 800x1000 Front & Rear 80% Perforated Force-XS Free Standing Cabinet	800x1750x1000 mm	120 kg
SM.FORS42U61.C0	42U 800x1000 Front & Rear 80% Perforated Force-XS Free Standing Cabinet	800x1890x1000 mm	127 kg
SM.FORS47U61.C0	47U 800x1000 Front & Rear 80% Perforated Force-XS Free Standing Cabinet	800x2110x1000 mm	140 kg

C0 = Color Code ,C 0 2 refers to Light Gray RAL 7035 and C 0 1 to Black RAL 9005, please add it when ordering !





FREE STANDING TYPE CABINET GENERAL FEATURES

Lin-x series cabinets are a low-cost network and server cabinet system designed for network and server, meeting high-density cabling needs. With its modular structure, it is a good option for more storage, less transportation and practical assembly for your cost plans. Offers advanced fiber and copper cable management options; Provides maximum cable capacity for your high-density cabling requirements while simplifying cable installation, maintenance, and easy intervention.

LIN-XN STANDARD CONFIGURATION

- Aluminum or Metal framed glass front door
- Colorful decorative frame lath
- Locked front cover with handle
- Latch-lock back cover
- Clatch side covers
- 4 pieces of heavy-duty 19" device props with depth adjustment
- 4 pieces of adjustable pinion feet
- In 600mm wide cabinets, there are 2 cable entries in total, 1 on the lower chassis and 1 on the upper side, 3 pieces on the lower chassis and 3 pieces on the upper side in 800mm wide cabinets. A total of 6 cable passages are provided.



Lin-x 19" Lin-x Free Standing cabinets, with a carrying capacity of up to 1000 kg, are an ideal solution for providing data distribution in infrastructure cable installations, protecting server devices at a basic level, and dense cabling management. A wide range of cable management accessories are available to provide perfect management for 19" devices. Flatpack option saves up to 60% on transportation cost and warehouse space.

LIN-XS SERVER SERIES STANDARD CONFIGURATION

- 75% perforated flat front cover with mechanism and lever lock
- Locked front cover with handle
- Latch-lock back cover
- Latch-on side covers
- 4 pieces of heavy type 19" device props with depth adjustment
- 4 adjustable pinion feet
- 55x25 2 wheel modules with 2 brakes and 2 without brakes
- In 600mm wide cabinets, there are 2 cable entries in total, 1 on the lower chassis and 1 on the upper side, In 800mm wide cabinets, 3 on the lower chassis and 3 on the upper side. A total of 6 cable passages were provided.



Lin-x series server rack cabinet system is designed and manufactured for demanding data center environments. such as HP, Dell, Sun, Cisco, Juniper, IBM, Compaq
It is designed to host all servers produced by major brands

TECHNICAL INFORMATION

- Material: Steel sheet
- Width: W= 600, 800 mm
- Height: 11 different U heights; 12'U - 47U
- Depth: D= 600, 800, 1000 mm
- Color options: RAL 9005 black or RAL 7035 light gray
- Lockable and removable side panels for easy transportation
- Glass front cover, standard lockable metal back panel (see product catalog for other options)
- Powerful Dynamic design
- Extra productive space
- A djustable Front and rear device mounting brackets
- Ease of installation

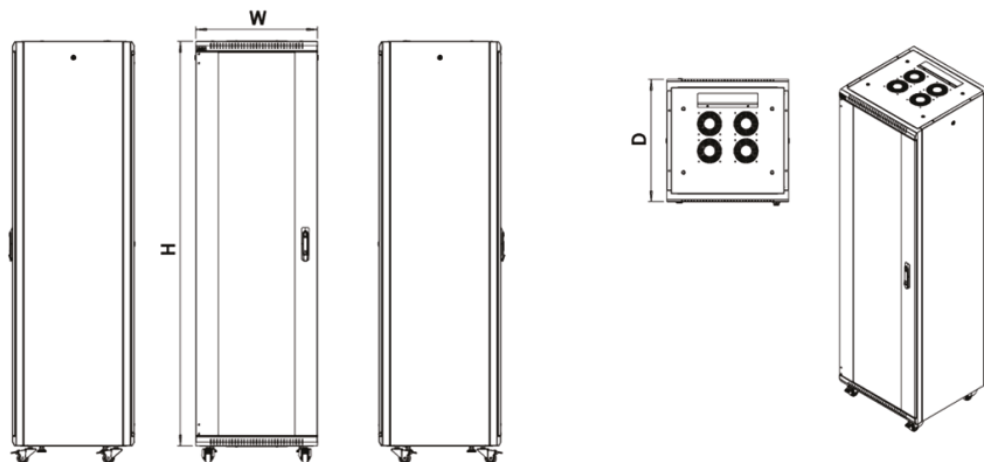


LIN-X N

LIN-X N 19'' FREE STANDING CABINET W=600



LIN-XN | W=600X600 W=600X800-FREE STANDING CABINET



Product Code	Product Description W=600 D=600 mm	Dimensions (W*H*D)	Product Kg
SM.LIN12U66.C0	12U 600x600 LIN-XN Free Standing Cabinet with front glass & rear metal cover	600x1015x600 mm	28 kg
SM.LIN16U66.C0	16U 600x600 LIN-XN Free Standing Cabinet with front glass & rear metal cover	600x1180x600 mm	34 kg
SM.LIN22U66.C0	22U 600x600 LIN-XN Free Standing Cabinet with front glass & rear metal cover	600x1015x600 mm	43 kg
SM.LIN26U66.C0	26U 600x600 LIN-XN Free Standing Cabinet with front glass & rear metal cover	600x1180x600 mm	48 kg
SM.LIN32U66.C0	32U 600x600 LIN-XN Free Standing Cabinet with front glass & rear metal cover	600x1442x600 mm	58 kg
SM.LIN36U66.C0	36U 600x600 LIN-XN Free Standing Cabinet with front glass & rear metal cover	600x1620x600 mm	66 kg
SM.LIN39U66.C0	39U 600x600 LIN-XN Free Standing Cabinet with front glass & rear metal cover	600x1750x600 mm	70 kg
SM.LIN42U66.C0	42U 600x600 LIN-XN Free Standing Cabinet with front glass & rear metal cover	600x1890x600 mm	74 kg
SM.LIN47U88.C0	47U 600x600 LIN-XN Free Standing Cabinet with front glass & rear metal cover	600x2110x600 mm	82 kg

Product Code	Product Description W=600 D=800 mm	Dimensions (W*H*D)	Product Kg
SM.LIN12U68.C0	12U 600x800 LIN-XN Free Standing Cabinet with front glass & rear metal cover	600x1015x800 mm	33 kg
SM.LIN16U68.C0	16U 600x800 LIN-XN Free Standing Cabinet with front glass & rear metal cover	600x1180x800 mm	40 kg
SM.LIN22U68.C0	22U 600x800 LIN-XN Free Standing Cabinet with front glass & rear metal cover	600x1015x800 mm	48 kg
SM.LIN26U68.C0	26U 600x800 LIN-XN Free Standing Cabinet with front glass & rear metal cover	600x1180x800 mm	58 kg
SM.LIN32U68.C0	32U 600x800 LIN-XN Free Standing Cabinet with front glass & rear metal cover	600x1442x800 mm	68 kg
SM.LIN36U68.C0	36U 600x800 LIN-XN Free Standing Cabinet with front glass & rear metal cover	600x1620x800 mm	76 kg
SM.LIN39U68.C0	39U 600x800 LIN-XN Free Standing Cabinet with front glass & rear metal cover	600x1750x800 mm	83 kg
SM.LIN42U68.C0	42U 600x800 LIN-XN Free Standing Cabinet with front glass & rear metal cover	600x1890x800 mm	88 kg
SM.LIN47U68.C0	47U 600x800 LIN-XN Free Standing Cabinet with front glass & rear metal cover	600x2110x800 mm	96 kg

C0 = Color Code ,C 0 2 refers to Light Gray RAL 7035 and C 0 1 to Black RAL 9005, please add it when ordering !

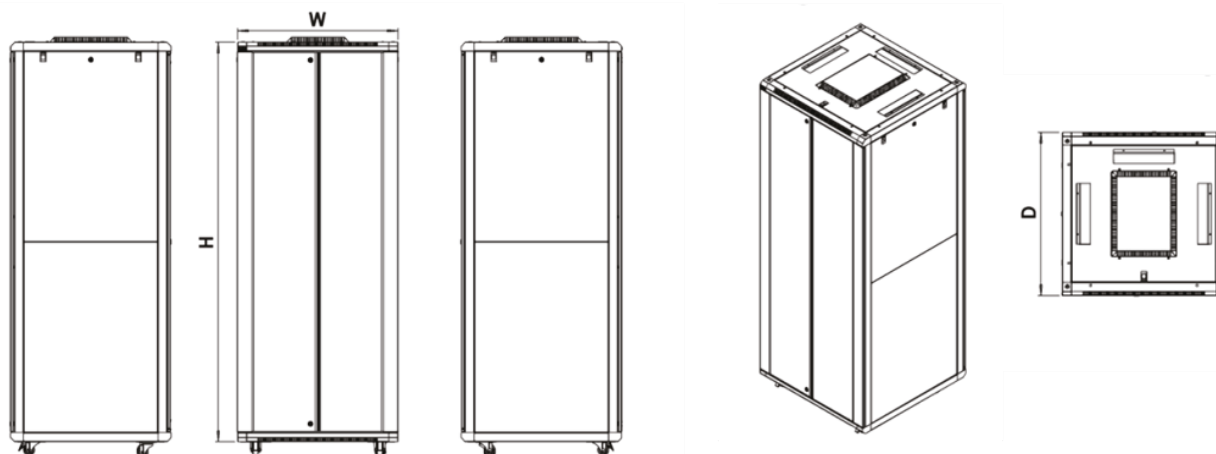


LIN-X N

LIN-X N 19" FREE STANDING CABINET W=800



W=800X800 W=800X1000-FREE STANDING CABINET



Product Code	Product Description W=800 D=800 mm	Dimensions (W*H*D)	Product Kg
SM.LIN12U88.C0	12U 800x800 LIN-XN Free Standing Cabinet with front glass & rear metal cover	800x1015x800 mm	38 kg
SM.LIN16U88.C0	16U 800x800 LIN-XN Free Standing Cabinet with front glass & rear metal cover	800x1180x800 mm	47 kg
SM.LIN22U88.C0	22U 800x800 LIN-XN Free Standing Cabinet with front glass & rear metal cover	800x1015x800 mm	56 kg
SM.LIN26U88.C0	26U 800x800 LIN-XN Free Standing Cabinet with front glass & rear metal cover	800x1180x800 mm	65 kg
SM.LIN32U88.C0	32U 800x800 LIN-XN Free Standing Cabinet with front glass & rear metal cover	800x1442x800 mm	80 kg
SM.LIN36U88.C0	36U 800x800 LIN-XN Free Standing Cabinet with front glass & rear metal cover	800x1620x800mm	85 kg
SM.LIN39U88.C0	39U 800x800 LIN-XN Free Standing Cabinet with front glass & rear metal cover	800x1750x800 mm	94 kg
SM.LIN42U88.C0	42U 800x800 LIN-XN Free Standing Cabinet with front glass & rear metal cover	800x1890x800 mm	99 kg
SM.LIN47U88.C0	47U 800x800 LIN-XN Free Standing Cabinet with front glass & rear metal cover	800x2110x800 mm	107 kg
Product Code	Product Description W=800 D=1000 mm	Dimensions (W*H*D)	Product Kg
SM.LIN12U81.C0	12U 800x1000 LIN-XN Free Standing Cabinet with front glass & rear metal cover	800x1015x1000 mm	43 kg
SM.LIN16U81.C0	16U 800x1000 LIN-XN Free Standing Cabinet with front glass & rear metal cover	800x1180x1000 mm	53 kg
SM.LIN22U81.C0	22U 800x1000 LIN-XN Free Standing Cabinet with front glass & rear metal cover	800x1015x1000mm	65 Kg
SM.LIN26U81.C0	26U 800x1000 LIN-XN Free Standing Cabinet with front glass & rear metal cover	800x1180x1000 mm	76 kg
SM.LIN32U81.C0	32U 800x1000 LIN-XN Free Standing Cabinet with front glass & rear metal cover	800x1442x1000mm	89 kg
SM.LIN36U81.C0	36U 800x1000 LIN-XN Free Standing Cabinet with front glass & rear metal cover	800x1620x1000mm	100 kg
SM.LIN39U81.C0	39U 800x1000 LIN-XN Free Standing Cabinet with front glass & rear metal cover	800x1750x1000mm	107 kg
SM.LIN42U81.C0	42U 800x1000 LIN-XN Free Standing Cabinet with front glass & rear metal cover	800x1890x1000mm	112 kg
SM.LIN47U81.C0	47U 800x1000 LIN-XN Free Standing Cabinet with front glass & rear metal cover	800x2110x1000 mm	122 kg

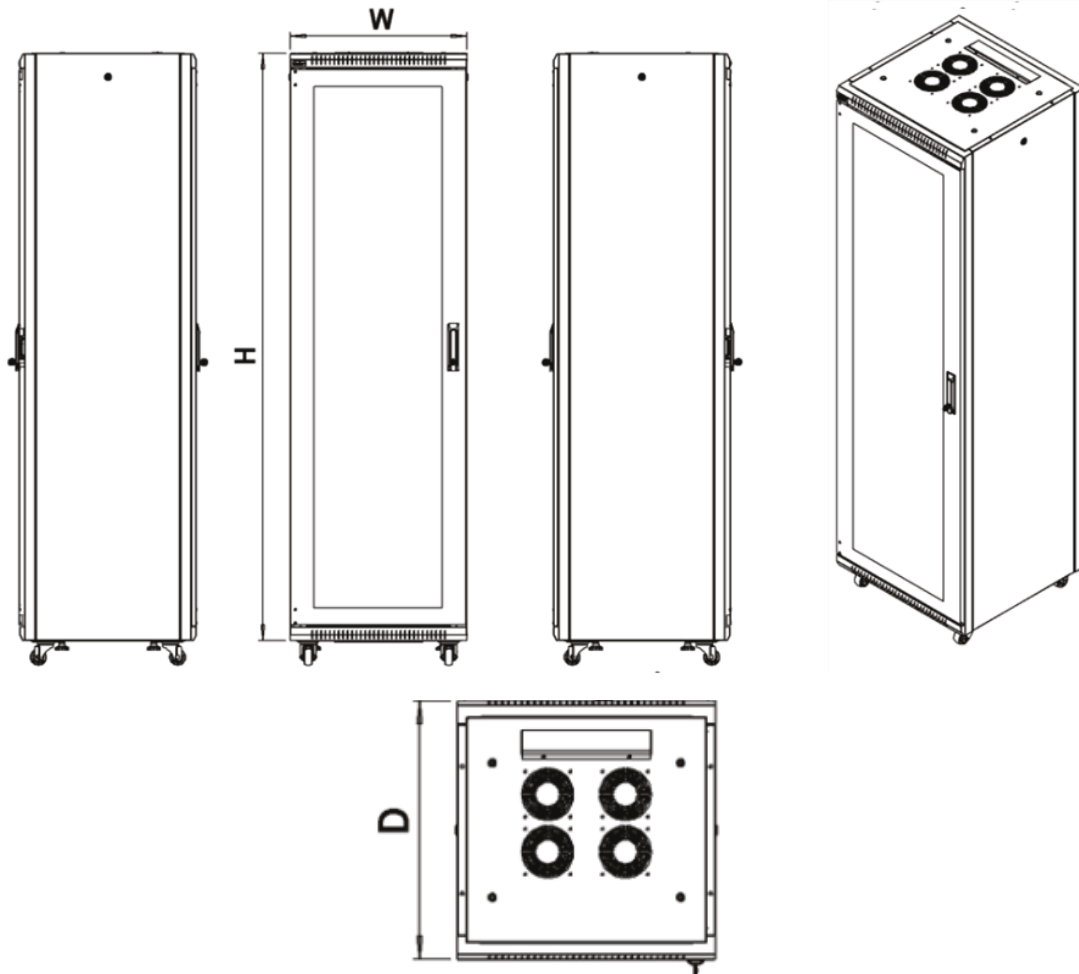
C0 = Color Code ,C 0 2 refers to Light Gray RAL 7035 and C 0 1 to Black RAL 9005, please add it when ordering !



LIN-X S

LIN-X S 19" FREE STANDING SERVER CABINET W=600





Product Code	Product Description W=600 D=1000 mm	Dimensions (W*H*D)	Product Kg
SM.LINS12U61.C0	12U 600x1000 Front & Rear 80% Perforated LIN-XS Free Standing Cabinet	600x1015x1000 mm	52 kg
SM.LINS16U61.C0	16U 600x1000 Front & Rear 80% Perforated LIN-XS Free Standing Cabinet	600x1180x1000mm	63 kg
SM.LINS22U61.C0	22U 600x1000 Front & Rear 80% Perforated Force-XS Free Standing Cabinet	600x1015x1000 mm	67 kg
SM.LINS26U61.C0	26U 600x1000 Front & Rear 80% Perforated Force-XS Free Standing Cabinet	600x1180x1000 mm	74 kg
SM.LINS32U61.C0	32U 600x1000 Front & Rear 80% Perforated Force-XS Free Standing Cabinet	600x1442x1000 mm	85 kg
SM.LINS36U61.C0	36U 600x1000 Front & Rear 80% Perforated Force-XS Free Standing Cabinet	600x1620x1000 mm	94 kg
SM.LINS39U61.C0	39U 600x1000 Front & Rear 80% Perforated Force-XS Free Standing Cabinet	600x1750x1000 mm	98 kg
SM.LINS42U61.C0	42U 600x1000 Front & Rear 80% Perforated Force-XS Free Standing Cabinet	600x1890x1000 mm	102 kg
SM.LINS47U61.C0	47U 600x1000 Front & Rear 80% Perforated Force-XS Free Standing Cabinet	600x2110x1000 mm	111 kg

C0 = Color Code ,C 0 2 refers to Light Gray RAL 7035 and C 0 1 to Black RAL 9005, please add it when ordering !

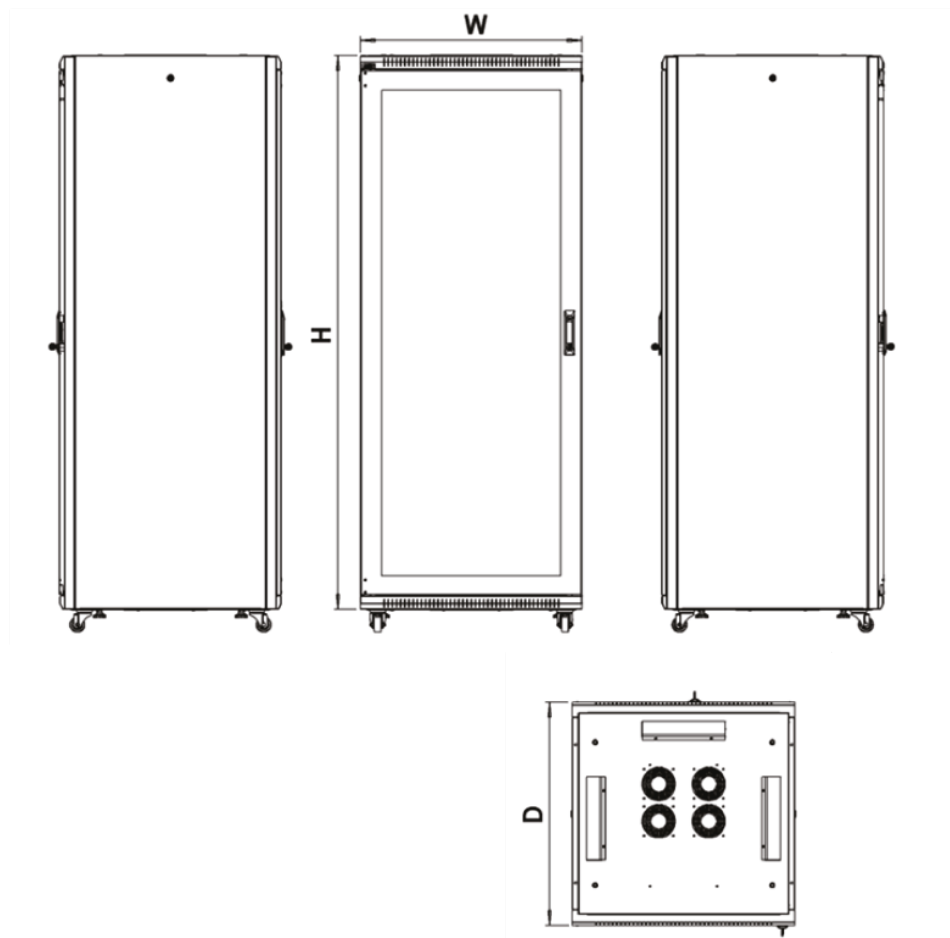


LIN-X S

LIN-X S 19" FREE STANDING SERVER CABINET W=800



LIN-XS |W=800X1000 FREE STANDING SERVER CABINET



Product Code	Product Description W=600 D=1000 mm	Dimensions (W*H*D)	Product Kg
SM.LINS12U81.C0	12U 800x1000 Front & Rear 80% Perforated LIN-XS Free Standing Cabinet	800x1015x1000 mm	57 kg
SM.LINS16U81.C0	16U 800x1000 Front & Rear 80% Perforated LIN-XS Free Standing Cabinet	800x1180x1000mm	68 kg
SM.LINS22U81.C0	22U 800x1000 Front & Rear 80% Perforated Force-XS Free Standing Cabinet	800x1015x1000 mm	75 kg
SM.LINS26U81.C0	26U 800x1000 Front & Rear 80% Perforated Force-XS Free Standing Cabinet	800x1180x1000 mm	85 kg
SM.LINS32U81.C0	32U 800x1000 Front & Rear 80% Perforated Force-XS Free Standing Cabinet	800x1442x1000 mm	98 kg
SM.LINS36U81.C0	36U 800x1000 Front & Rear 80% Perforated Force-XS Free Standing Cabinet	800x1620x1000 mm	106 kg
SM.LINS39U81.C0	39U 800x1000 Front & Rear 80% Perforated Force-XS Free Standing Cabinet	800x1750x1000 mm	115 kg
SM.LINS42U81.C0	42U 800x1000 Front & Rear 80% Perforated Force-XS Free Standing Cabinet	800x1890x1000 mm	123 kg
SM.LINS47U81.C0	47U 800x1000 Front & Rear 80% Perforated Force-XS Free Standing Cabinet	800x2110x1000 mm	136 kg

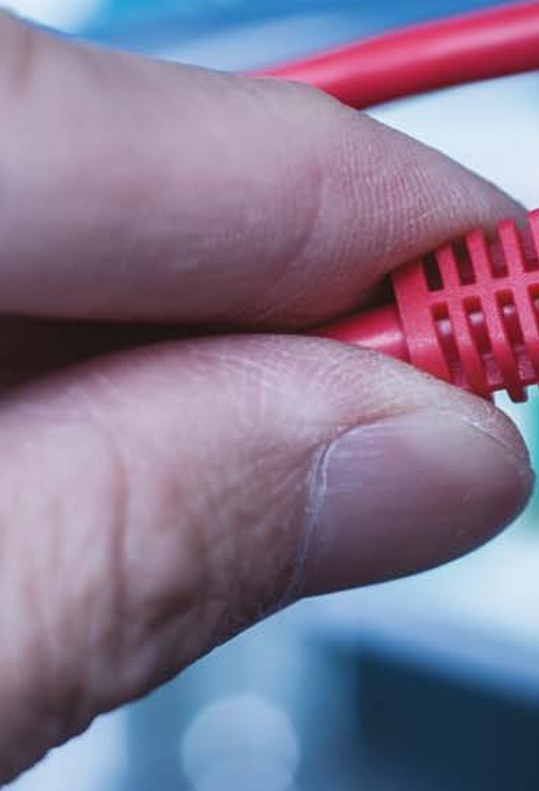
C0 = Color Code ,C 0 2 refers to Light Gray RAL 7035 and C 0 1 to Black RAL 9005, please add it when ordering !





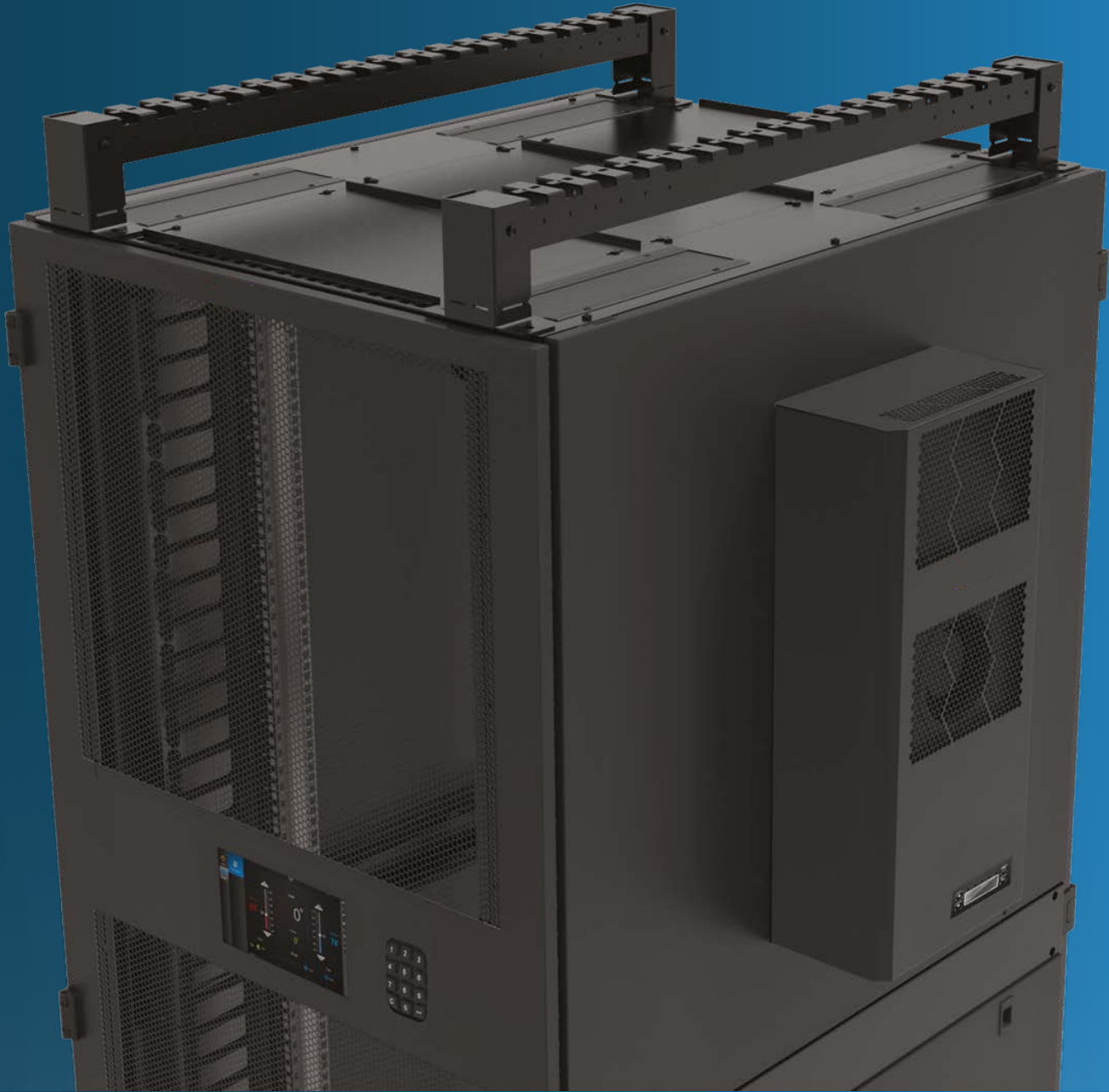
SEMY

ENGINEERING & CONSULTING GMBH



SMART-X

SMART-X MICRO DATA CENTER



Smart-x Micro DC Data Center solutions; Micro Data Centers, which stand out with their design and new technology; It stands out with its low cost, fast installation and energy efficiency. Mitra Cabinet Micro DC is the right and low cost product for your solutions.

FEATURES OF THE SMART-X MICRO DATA CENTER

Fast on-site installation: Installation and use immediately upon delivery, thanks to the ready-to-use integrated product.

Low Installation Cost: It significantly reduces the initial investment cost compared to Traditional Data Centers.

Increased Energy Efficiency: Significantly reduces cooling and power operation costs

Adaptable System Structure: It can be easily customized according to your cooling and power needs.

Energy Saving: You do not need to cool the entire IT room, only Micro DC cabinet cooling system with the same brand air conditioner

Modular System: Micro DC structure that can be added in line with the increase in Data Center needs.

Portable: Micro DC can be easily moved to different locations thanks to its castable feature.

Security: Keeps data of high importance in a secure environment. Increases data and hardware protection.

Fire: It guarantees 24/7 business continuity with integrated fire detection-extinguishing and environment monitoring (EMS) systems.

Maintenance: The possibility of minimizing data center maintenance labor and costs thanks to its compact structure.

Plug and play System: Limited Operation Factory ready-to-install system with all components and tests.

Standardization: Standard solution for all your branches. It limits the risk of human errors and reduces operating and maintenance costs.

Reduces the need for IT Personnel: You do not need to have an IT specialist for each location.

Remote Access: Micro DC, Data Center can be remotely controlled wherever you are with IP infrastructure.

Economical Solution for Small Business: You do not have to worry about a complex Data Center design and installation work.

Carrying Capacity: The Smart-XDC Micro Data Center has a carrying capacity of 1500kg.



SMART-X MICRO DATA CENTER USAGE AREAS

Small and Medium Enterprises (SMEs)

Branches of financial institutions (Banks, Agencies etc.)

Data centers that require Quick Setup

Branches of state institutions and organizations (Police, Army, Schools, Electricity, Water companies, etc.)

Companies looking to connect to the cloud instead of investing in a large data center Telecommunication and GSM

companies' headquarters and exchange offices Remote locations where data center specialists are not available

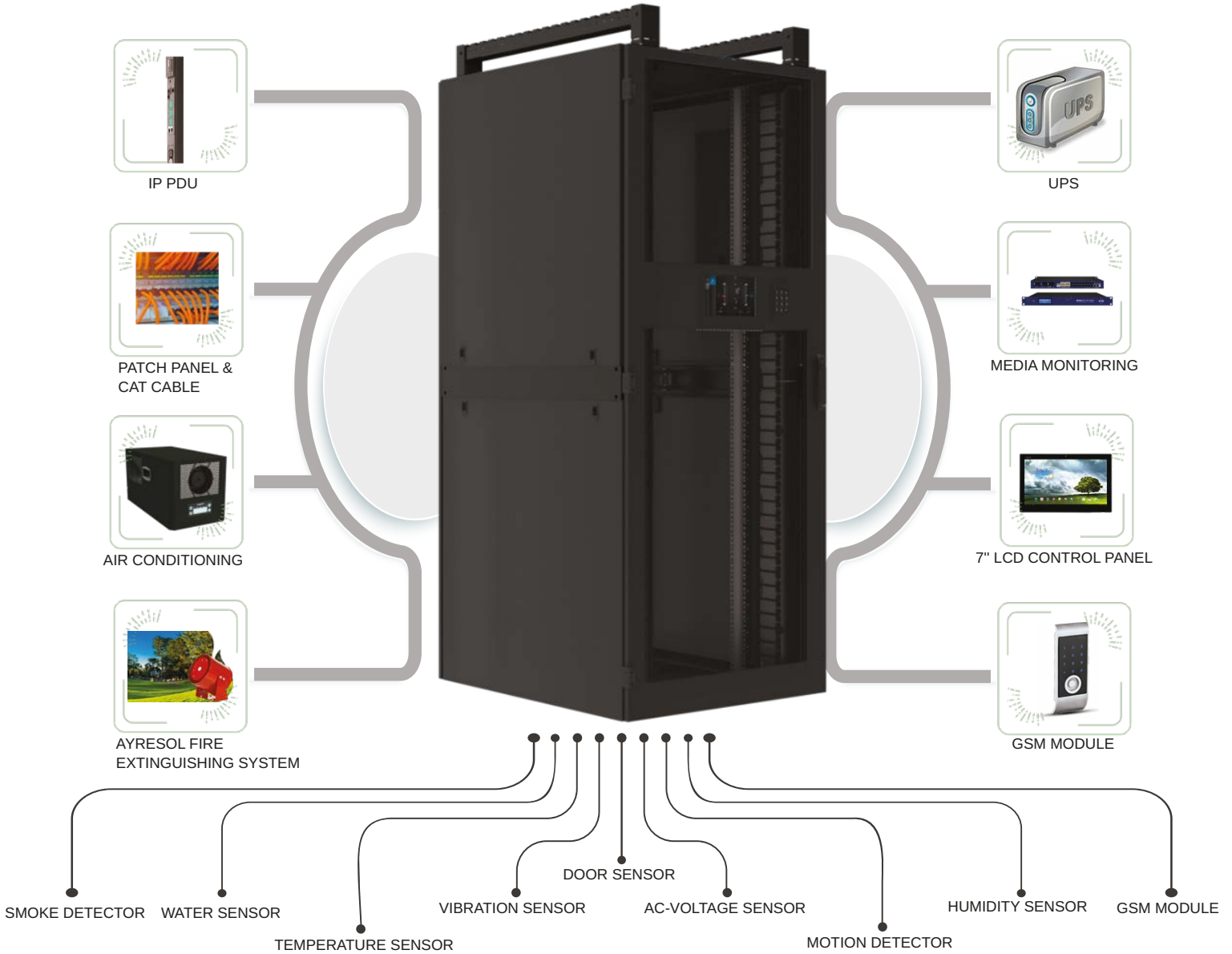
Manufacturing companies for automation control and IT services

Disaster and emergency prevention centers.

For mobile daily temporary locations



SMART-X MICRO DATA CENTER



Smart-x Micro DC Data Center solutions, Rack Cabinet, front cover integrated digital 7" control screen UPS, product-specific cooling system, no installation gasless Aerosol fire detection and extinguishing system, IP-PDU (power distribution unit) electronic lock system. It is an integrated stand-alone data center solution that combines environmental monitoring systems (EMS) and environmental monitoring systems on a single platform.

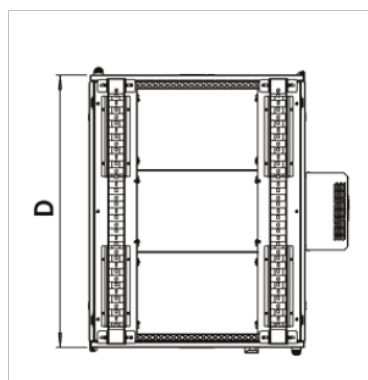
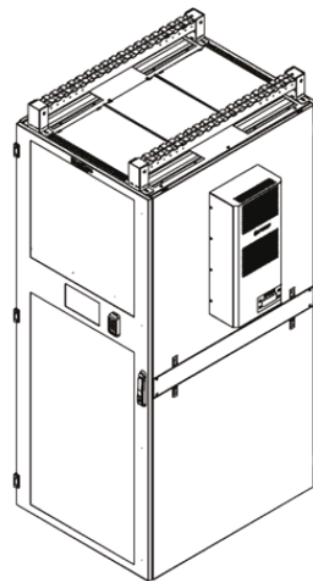
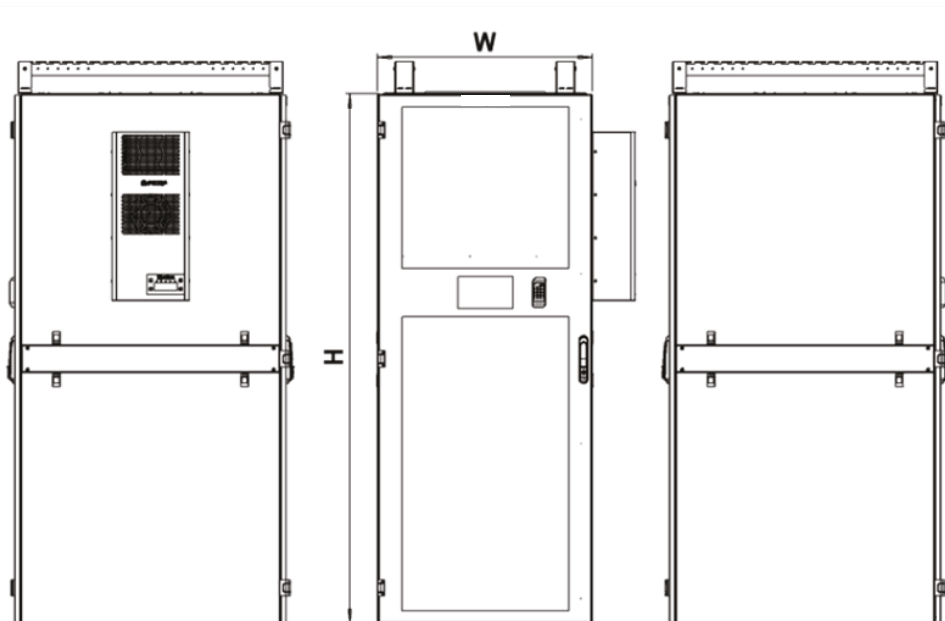
With the remote monitoring feature, the data centers in the head offices and branches are monitored regardless of people, and the system is ensured to operate at the highest level with uninterrupted security.



Smart-x Micro DC Data Center solutions; The initial installation cost significantly reduces costs when compared to data centers built with traditional methods (Construction works, raised floors, cable carriers, wall-mounted air conditioning systems and piping). It will enable current and future users to easily access the cloud system and benefit from the flexible and fully supported structure.



SMART-X MICRO DATA CENTER



Product Code	Product Description W=600 D=1000 mm	Dimensions (W*H*D)	Product Kg
SM.SMDC26U61.C0	26U 600x1000 Front & Rear 80% Perforated SMART-X Free Standing Cabinet	600x1180x1000 mm	75 kg
SM.SMDC36U61.C0	36U 600x1000 Front & Rear 80% Perforated SMART-S Free Standing Cabinet	600x1620x1000 mm	95 kg
SM.SMDC42U61.C0	42U 600x1000 Front & Rear 80% Perforated SMART-S Free Standing Cabinet	600x1890x1000 mm	105kg
SM.SMDC47U61.C0	47U 600x1000 Front & Rear 80% Perforated SMART-S Free Standing Cabinet	600x2110x1000 mm	115 kg
Product Code	Product Description W=600 D=1000 mm	Dimensions (W*H*D)	Product Kg
SM.SMDC26U81.C0	26U 800x1000 Front & Rear 80% Perforated SMART-X Free Standing Cabinet	800x1180x1000 mm	85 kg
SM.SMDC36U81.C0	36U 800x1000 Front & Rear 80% Perforated SMART-S Free Standing Cabinet	800x1620x1000 mm	106 kg
SM.SMDC42U81.C0	42U 800x1000 Front & Rear 80% Perforated SMART-S Free Standing Cabinet	800x1890x1000 mm	123kg
SM.SMDC47U81.C0	47U 800x1000 Front & Rear 80% Perforated SMART-S Free Standing Cabinet	800x2110x1000 mm	136 kg

C0 = Color Code ,C 0 2 refers to Light Gray RAL 7035 and C 0 1 to Black RAL 9005, please add it when ordering !

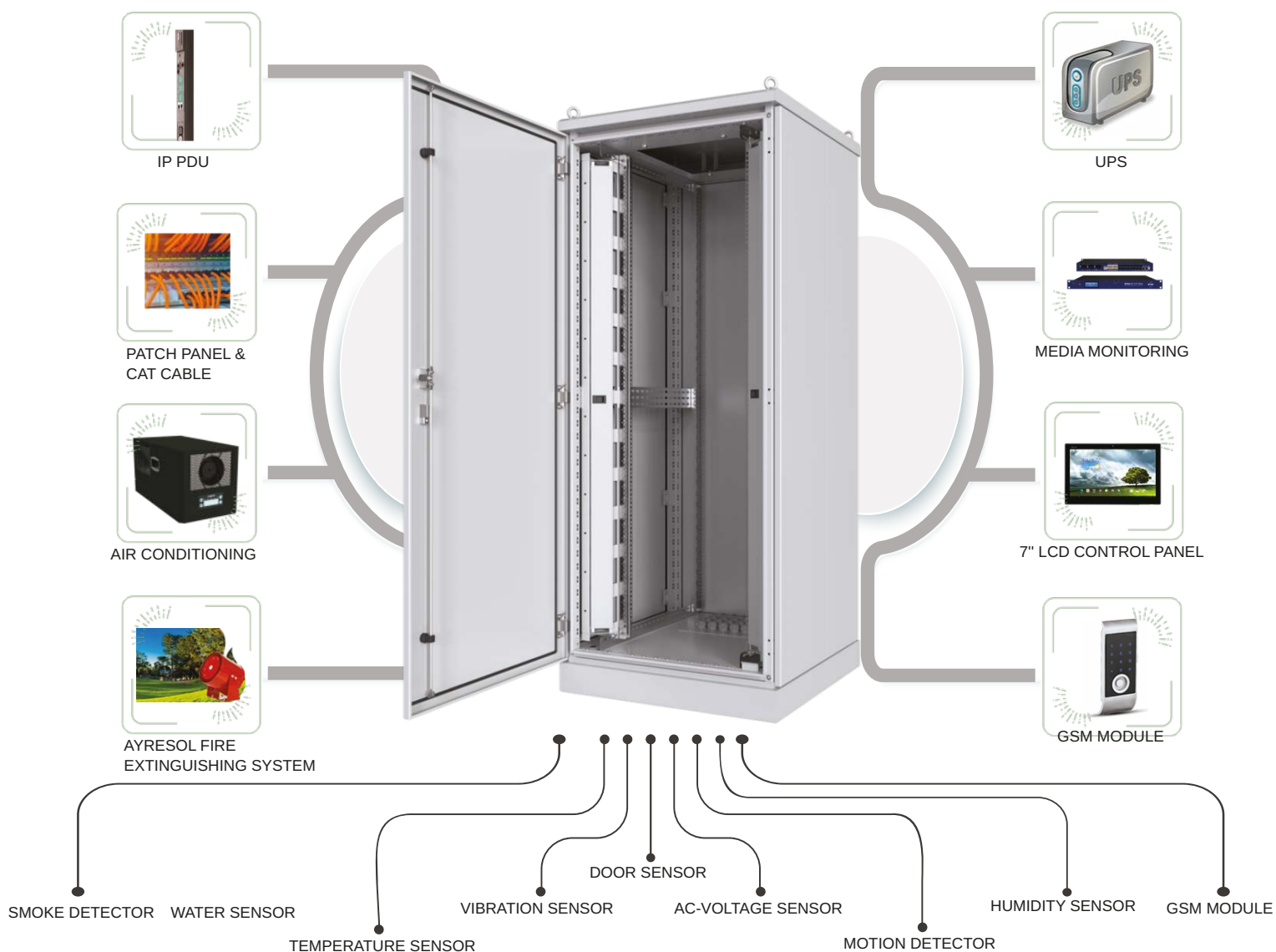




SEMY

ENGINEERING & CONSULTING GMBH

IP55 - MDC | MICRO DATA CENTER



Smart-x Micro DC Data Center solutions, Rack Cabinet, front cover integrated digital 7" control screen UPS, product-specific cooling system, no installation gasless Aerosol fire detection and extinguishing system, IP-PDU (power distribution unit) electronic lock system. It is an integrated stand-alone data center solution that combines environmental monitoring systems (EMS) and environmental monitoring systems on a single platform. With the remote monitoring feature, the data centers in the head offices and branches are monitored regardless of people, and the system is ensured to operate at the highest level with uninterrupted security.

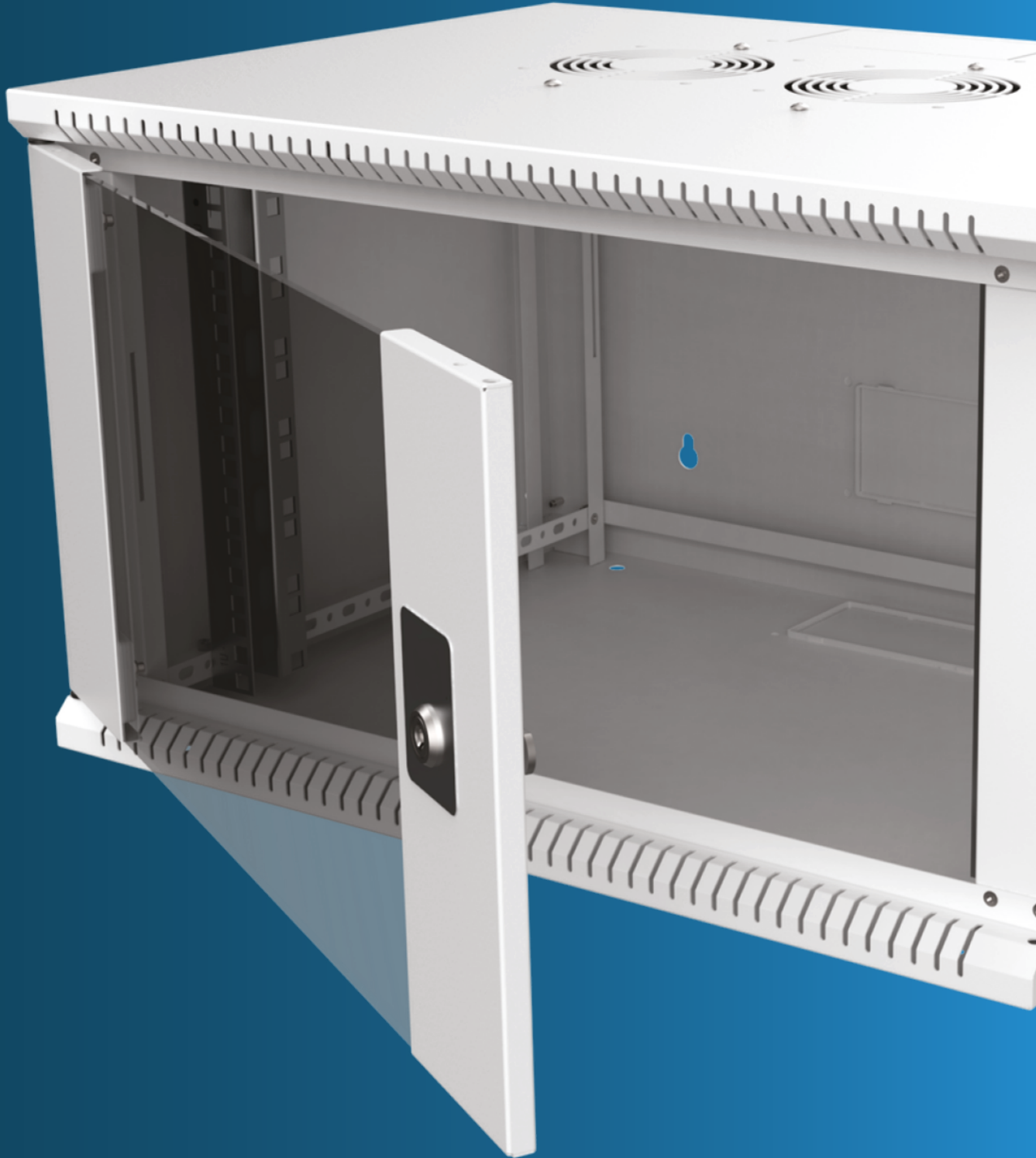
Product Code	Product Description W=600 D=1000 mm	Dimensions (W*H*D)	Product Kg
SM.IP55MDC26U61.C0	26U 600x1000 IP55 Micro Data Center with front & back metal cover	600x1180x1000 mm	75 kg
SM.IP55MDC36U61.C0	36U 600x1000 IP55 Micro Data Center with front & back metal cover	600x1620x1000 mm	95 kg
SM.IP55MDC42U61.C0	42U 600x1000 IP55 Micro Data Center with front & back metal cover	600x1890x1000 mm	105kg
Product Code	Product Description W=800 D=1000 mm	Dimensions (W*H*D)	Product Kg
SM.IP55MDC26U81.C0	26U 800x1000 IP55 Micro Data Center with front & back metal cover	800x1180x1000 mm	75 kg
SM.IP55MDC36U81.C0	36U 800x1000 IP55 Micro Data Center with front & back metal cover	800x1620x1000 mm	95 kg
SM.IP55MDC42U81.C0	42U 800x1000 IP55 Micro Data Center with front & back metal cover	800x1890x1000 mm	105kg

C0 = Color Code ,C 0 2 refers to Light Gray RAL 7035 and C 0 1 to Black RAL 9005, please add it when ordering !



WIN-BOX

WIN-BOX 19" WALL TYPE CABINET





WIN-BOX

WIN-BOX 19" WALL TYPE CABINET

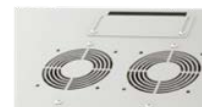


Win-Box series wall mounted cabinets are a product designed in the most ideal way, combining quality and aesthetics. It creates a price index to be considered thanks to its high performance in network applications and the quality it offers, the high-tech, fully automatic industrial infrastructure it is produced and its unique design.

Cable entry: Win-box series cabinets have upper chassis, rubberized edges and a sliding cable entry module. The cable entry module with dimensions of W:145mm x D:70mm ensures that the cables are taken into the cabinet in a healthy and safe manner. The rubber-edged cable entry mechanism has the opportunity to open 0-50mm. After the cables are taken into the cabinet, the sliding part is closed and fixed, the rubber edges are closed so as not to damage the cables, and at the same time, it keeps the entry of dust into the cabinet to a minimum.



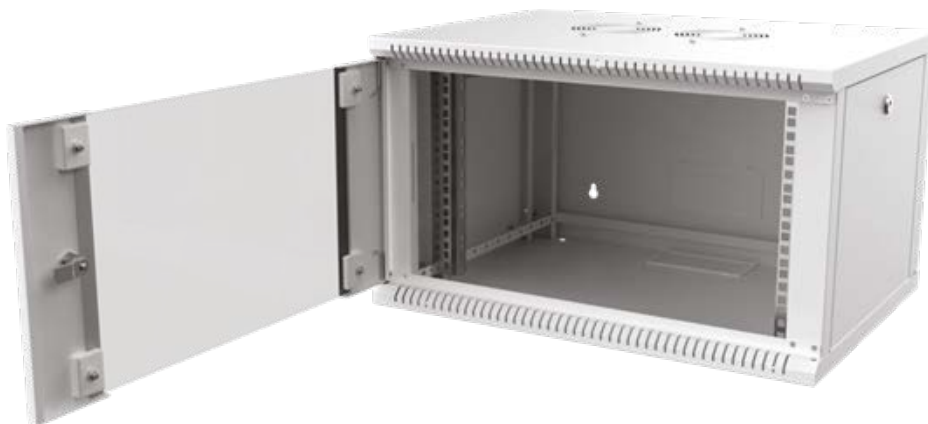
Ventilation: Win-box series cabinets have decorative ventilation vents on the chassis, front, lower and upper parts. ventilation grilles Provides passive ventilation through convection (heat flow).



Fan module: Win-box series cabinets, Fan Modules for Wall Ready-to-install, plug and play style with on/off switches and plugs. Every Fan has an airflow. 2.3- 3 cbm/min capacity. Fan Technical data: 18/17 W, 220/240 VAC, 50/60 Hz, 0.13 / 0.11 A, 2300/3000 rpm 42 - 47 dB noise level. el

19" equipment racks: The Win-box series Wall-Mounted Cabinets come with automatic U-numbered device mountings, resulting in a 1U spacing with the same U height selection from top to bottom or bottom to top. These device mountings have 4-fold bending surfaces and provide high load capacities with a thickness of 1.5mm. The 19" device mountings are made of steel with 8-12 microns of zinc coating, making them corrosion-resistant. They are also deeply adjustable





WIN-BOX

WIN-BOX 19" WALL TYPE CABINET



Additional features: All cabinet Wall mounted cabinets are suitable for wheel or height adjustable pinion foot assembly integration. This feature; It allows the use of cabinets as free standing cabinets, especially in narrow and low height locations. Likewise, with the integration of wheels or height-adjustable legs, you can put the product in under-the-table format.

Side panel: Side panels can be locked and removed with cylindrical style locking system, easy mechanical locking to main frame snap-on with multi-twist structure, snapping system, easy insertion and removal of panels in seconds.



Back panel: Win-box series cabinets are mechanically screwed back panel to the main body. The rear panel is also used as a wall marking and screwing template. Thanks to this feature, it can be mounted on the wall with much less personnel in heavy-duty cabinet field applications. Thus, it becomes possible to perform the work with a single technician. First, the rear panel is placed on the wall and marked, then holes are drilled in the wall, and finally the rear panel is mounted on the wall. Afterwards, the wall-mounted cabinet is hung on the back panel. For safety reasons, the cabinet is attached to the rear panel separately with the help of screws. All our wall mounted models have this feature.

Modular: Win-box wall-mounted cabinets are shipped assembled as standard. With the optional demounted (FLATPACK) package option, an advantage of up to 60% is provided in transportation cost and storage area.



WIN-BOX

WIN-BOX 19" WALL TYPE CABINET

- Material:** Steel sheet
- Width:** 600mm
- Height:** 5 different U heights; 7U, 9U, 12U, 16U, 20U
- Depth:** 450, 560 and 600 mm
- Color options:** RAL 9005 black or RAL 7035 light gray
- Easy access:** Lockable and removable side panels.
- (Optional) Framed windshield cover
- Optional metal and perforated front cover
- Screw mount rear panel
- Durable design
- Extra productive space
- fan module
- Front device mounting post
- Disassembled option available
- Various features that make installation easy
- Maximum Static Load up to 80 kg



Product Code	Product Description W=600 D=450 mm	Dimensions (W*H*D)	Product Kg
SM.WIN07U45.C0	7U 19" Win-Box Wall Mounted Cabinet W=600mm D=450mm	600x400x450 mm	12 kg
SM.WIN09U45.C0	9U 19" Win-Box Wall Mounted Cabinet W=600mm D=450mm	600x490x450mm	15 kg
SM.WIN12U45.C0	12U 19" Win-Box Wall Mounted Cabinet W=600mm D=450mm	600x620x450 mm	20 kg
SM.WIN16U45.C0	16U 19" Win-Box Wall Mounted Cabinet W=600mm D=450mm	600x800x450 mm	27 kg
SM.WIN20U45.C0	20U 19" Win-Box Wall Mounted Cabinet W=600mm D=450mm	600x980x450 mm	34 kg
Product Code	Product Description W=600 D=560 mm	Dimensions (W*H*D)	Product Kg
SM.WIN07U56.C0	7U 19" Win-Box Wall Mounted Cabinet W=600mm D=560mm	600x400x560 mm	14 kg
SM.WIN09U56.C0	9U 19" Win-Box Wall Mounted Cabinet W=600mm D=560mm	600x490x560 mm	17 kg
SM.WIN12U56.C0	12U 19" Win-Box Wall Mounted Cabinet W=600mm D=560mm	600x620x560 mm	22 kg
SM.WIN16U56.C0	16U 19" Win-Box Wall Mounted Cabinet W=600mm D=560mm	600x800x560 mm	30 kg
SM.WIN20U56.C0	20U 19" Win-Box Wall Mounted Cabinet W=600mm D=560mm	600x980x560 mm	36 kg
Product Code	Product Description W=600 D=600 mm	Dimensions (W*H*D)	Product Kg
SM.WIN07U60.C0	7U 19" Win-Box Wall Mounted Cabinet W=600mm D=600mm	600x400x600 mm	16 kg
SM.WIN09U60.C0	9U 19" Win-Box Wall Mounted Cabinet W=600mm D=600mm	600x490x600 mm	19 kg
SM.WIN12U60.C0	12U 19" Win-Box Wall Mounted Cabinet W=600mm D=600mm	600x620x600 mm	24 kg
SM.WIN16U60.C0	16U 19" Win-Box Wall Mounted Cabinet W=600mm D=600mm	600x800x600 mm	20 kg
SM.WIN20U60.C0	20U 19" Win-Box Wall Mounted Cabinet W=600mm D=600mm	600x980x600 mm	38 kg

C0 = Color Code ,C 0 2 refers to Light Gray RAL 7035 and C 0 1 to Black RAL 9005, please add it when ordering !



19" DOUBLE SECTION FOR WALL MOUNTING CABINET

Additional body: Win-box series cabinets, with d=150mm additional body module, are applied when there is a need for 4-way access to the cabinet in wall mounting applications. Completely standard and stocked product portfolio is shipped pre-assembled.



Additional body module: d=150mm designed for Win-box and Win-E series cabinets, it is applied when there is a need for 4-way access to the cabinet in wall mounting applications. Completely standard and stocked product is shipped as pre-assembled. There is a 19" device mounting area inside the Additional

Compartment. Passive, low depth products can be mounted. The additional compartment chamber, which offers a usable internal depth of 100mm, is used to accommodate cable bundles.

Additional body is applied to d= 450mm and d=560mm cabinets as (450+150mm) or (560+150mm) applied to Standard Wall Mounted Cabinets. With the help of the hanging holes on the additional unit, it is mounted on the wall and the cabinet body is opened with the help of the hinged structure, allowing easy access. It also provides ease of intervention and maintenance to the devices from behind. Thanks to its heavy-duty hinges, the cabinet can be opened and locked up to 120 degrees. Thanks to the plastic closure and brushed cable entry on the additional unit at the top and bottom, it allows the cables to be organized into the additional compartment while wiring.



Product Code	Product Description W=600 D=150 mm	Dimensions (W*H*D)	Product Kg
SM.EKG07U.C0	7U 19", W=600mm D=150mm Wall-Mount Rear Extension Body Module	600x400x150 mm	4 kg
SM.EKG09U.C0	9U 19" W=600mm D=150mm Wall-Mount Rear Extension Body Module	600x490x150 mm	6 kg
SM.EKG12U.C0	12U 19" W=600mm D=150mm Wall-Mount Rear Extension Body Module	600x620x150 mm	9 kg
SM.EKG16U.C0	16U 19" W=600mm D=150mm Wall-Mount Rear Extension Body Module	600x800x150 mm	13 kg
SM.EKG20U.C0	20U 19" W=600mm D=150mm Wall-Mount Rear Extension Body Module	600x980x150 mm	17 kg

C0 = Color Code ,C 0 2 refers to Light Gray RAL 7035 and C 0 1 to Black RAL 9005, please add it when ordering !



WIN-E

WIN-E 19'' ECO WALL TYPE CABINE



CE

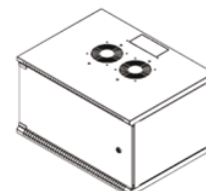
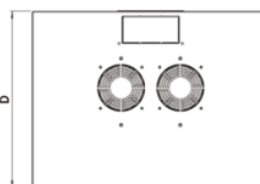
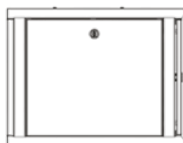
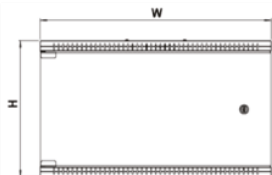
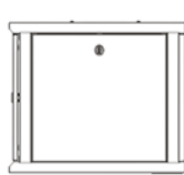
RoHS
Compliant



WIN-BOX 19" WALL TYPE CABINET

TECHNICAL DATA

- Material: Steel sheet
- Width: 600mm
- Height: 5 different U heights; 7U, 9U, 12U, 16U, 20U
- Depth: 450, 560 and 600 mm
- Color options: RAL 9005 black or RAL 7035 light gray
- Easy access: Lockable and removable side panels. (Optional)
- Framed windshield cover
- Optional metal and perforated front cover
- Screw mount rear panel
- Durable design
- Extra productive space fan module
- Front device mounting post
- Disassembled option available
- Various features that make installation easy
- Maximum Static Load up to 80 kg



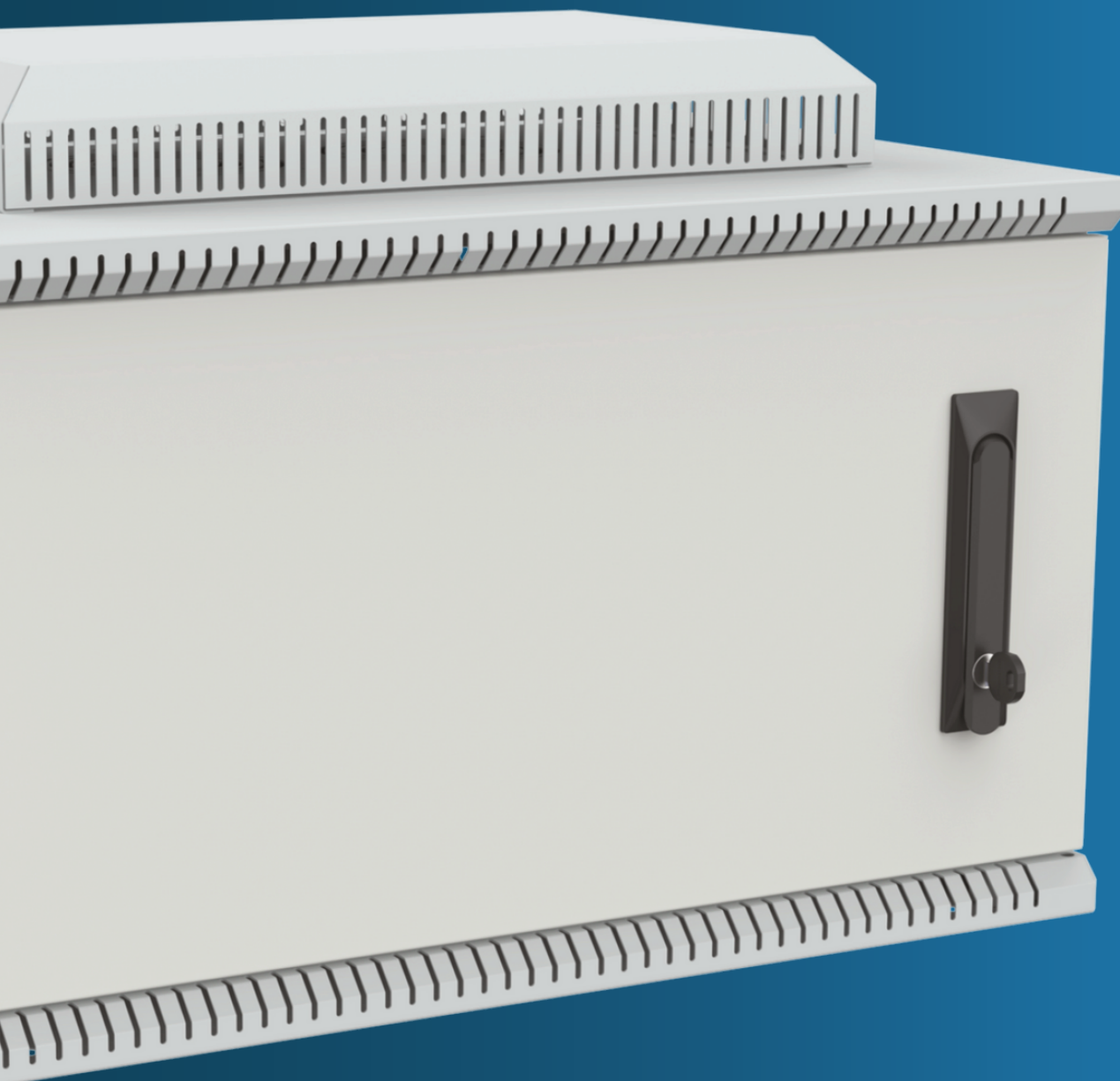
Product Code	Product Description W=600 D=450 mm	Dimensions (W*H*D)	Product Kg
SM.WIN07U45.C0	7U 19" Win-Box Wall Mounted ECoCabinet W=600mm D=450mm	600x400x450 mm	12 kg
SM.WIN09U45.C0	9U 19" Win-Box Wall Mounted Eco Cabinet W=600mm D=450mm	600x490x450mm	15 kg
SM.WIN12U45.C0	12U 19" Win-Box Wall Mounted Eco Cabinet W=600mm D=450mm	600x620x450 mm	20 kg
SM.WIN16U45.C0	16U 19" Win-Box Wall Mounted Eco Cabinet W=600mm D=450mm	600x800x450 mm	27 kg
SM.WIN20U45.C0	20U 19" Win-Box Wall Mounted Eco Cabinet W=600mm D=450mm	600x980x450 mm	34 kg
Product Code	Product Description W=600 D=560 mm	Dimensions (W*H*D)	Product Kg
SM.WIN07U56.C0	7U 19" Win-Box Wall Eco Mounted Cabinet W=600mm D=560mm	600x400x560 mm	14 kg
SM.WIN09U56.C0	9U 19" Win-Box Wall Eco Mounted Cabinet W=600mm D=560mm	600x490x560 mm	17 kg
SM.WIN12U56.C0	12U 19" Win-Box Wall Mounted Eco Cabinet W=600mm D=560mm	600x620x560 mm	22 kg
SM.WIN16U56.C0	16U 19" Win-Box Wall Mounted Eco Cabinet W=600mm D=560mm	600x800x560 mm	30 kg
SM.WIN20U56.C0	20U 19" Win-Box Wall Mounted ECo Cabinet W=600mm D=560mm	600x980x560 mm	36 kg
Product Code	Product Description W=600 D=600 mm	Dimensions (W*H*D)	Product Kg
SM.WIN07U60.C0	7U 19" Win-Box Wall Mounted Eco Cabinet W=600mm D=600mm	600x400x600 mm	16 kg
SM.WIN09U60.C0	9U 19" Win-Box Wall Mounted Eco Cabinet W=600mm D=600mm	600x490x600 mm	19 kg
SM.WIN12U60.C0	12U 19" Win-Box Wall Mounted Eco Cabinet W=600mm D=600mm	600x620x600 mm	24 kg
SM.WIN16U60.C0	16U 19" Win-Box Wall Mounted Eco Cabinet W=600mm D=600mm	600x800x600 mm	20 kg
SM.WIN20U60.C0	20U 19" Win-Box Wall Mounted Eco Cabinet W=600mm D=600mm	600x980x600 mm	38 kg

C0 = Color Code ,C0 2 refers to Light Gray RAL 7035 and C 0 1 to Black RAL 9005, please add it when ordering !



WIN-TT

WIN-TT 19" WALL TYPE CABINET



WIN-TT

19" WALL TYPE CABINET

TECHNICAL DATA

Material: Steel sheet

Width: 600mm

Height: 3 different U heights;
6U, 9U, 12U,

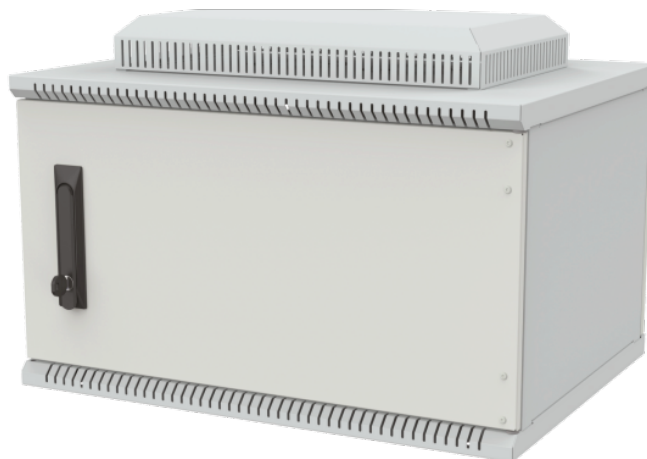
Depth: 480, 600 mm

Color options: RAL 9005 black or RAL 7035 light gray

Lockable and removable side panels for easy available

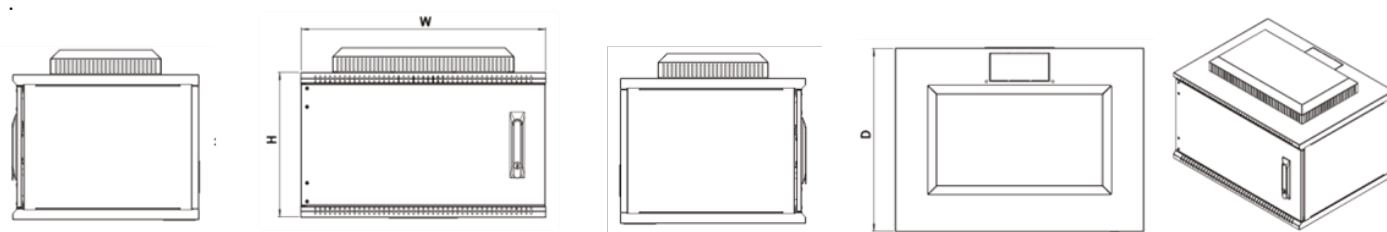
Various features that make installation easy

Maximum Static Load up to 80 kg



Win-TT series Wall Mounted cabinets are 19" w:600mm and d:480mm,d:600 physical depth and offer a wide choice to users with 3 different U heights (6u,9u,12u). Win-T series Wall mounted cabinets are a different model specially designed for Telecom solutions upon request.

Additional features: All Wall mounted cabinets are suitable for wheel or height adjustable pinion foot assembly integration. This feature; It allows the use of cabinets as free standing cabinets, especially in narrow and low height locations. Likewise, with the integration of casters or height-adjustable feet, you can put the product in under the table usage format. Vertical cable arrangements with vertical braids are applied on the front right and left sides of Win-T wall-mounted cabinets.



Product Code	Product Description W=600 D=480 mm	Dimensions (W*H*D)	Product Kg
SM.WINT06U48.C0	6U 19" Win-T Wall Mounted Cabinet W=600mm D=480mm	600x400x480 mm	13 kg
SM.WINT09U48.C0	9U 19" Win-T Wall Mounted Cabinet W=600mm D=480mm	600x490x480 mm	16 kg
SM.WINT12U48.C0	12U 19" Win-T Wall Mounted Cabinet W=600mm D=480mm	600x620x480 mm	21 kg
Product Code	Product Description W=600 D=600 mm	Dimensions (W*H*D)	Product Kg
SM.WINT06U60.C0	6U 19" Win-T Wall Mounted Cabinet W=600mm D=600mm	600x400x600 mm	16 kg
SM.WINT09U60.C0	9U 19" Win-T Wall Mounted Cabinet W=600mm D=600mm	600x490x600 mm	19 kg
SM.WINT12U60.C0	12U 19" Win-T Wall Mounted Cabinet W=600mm D=600mm	600x620x600 mm	24 kg

C0 = Color Code ,C 0 2 refers to Light Gray RAL 7035 and C 0 1 to Black RAL 9005, please add it when ordering !



19"SO-BOX

SO-BOX 19"SOHO WALL TYPE CABINET



SO-BOX

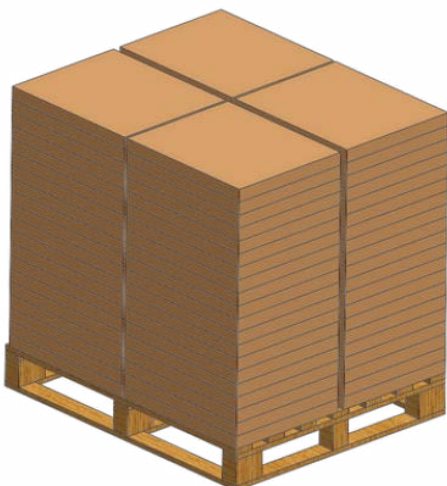
19'' WALL TYPE CABINET



Soho box ; series Wall mounted cabinets are the preferred products with 19" W=530mm D=300/ and 400mm physical dimensions, low cost requirement and superior logistics cost efficiency.

D=400mm ; 3 different U heights-7U,9U,12U customers are offered a choice. D=300mm offers simple network distribution with 7U height dimension.

Soho box ; Wall mounted cabinets are offered as assembled or demounted packaged as standard. Flatpack option saves up to 60% on shipping costs and warehouse space.

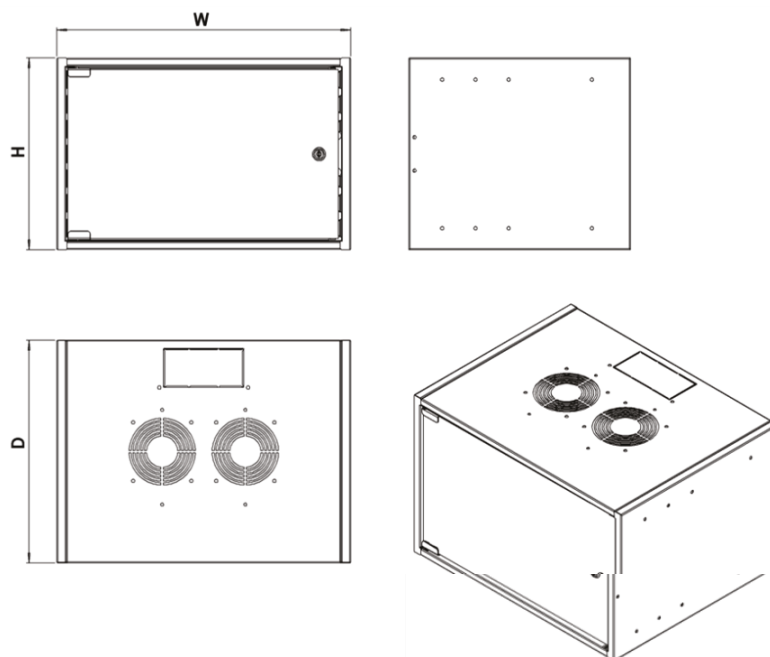


Pieces on Pallet	Quantity
7U Flatpack Soho	60 Pieces
9U Flatpack Soho	50 Pieces
12U Flatpack Soho	40 Pieces



SO-BOX

SO-BOX | 19" SOHO WALL MOUNTED CABINET



Product Code	Product Description W=540 D=300 mm	Dimensions (W*H*D)	Product Kg
SM.SOH07U30.C0	7U 19" Wall-Mounted SOHO Cabinet W=540mm D=300mm	600x400x480 mm	13 kg
SM.SOH09U30.C0	9U 19" Wall-Mounted SOHO Cabinet W=540mm D=300mm	600x490x480 mm	16 kg
SM.SOH12U30.C0	12U 19" Wall-Mounted SOHO Cabinet W=540mm D=300mm	600x620x480 mm	21 kg
Product Code	Product Description W=600 D=600 mm	Dimensions (W*H*D)	Product Kg
SM.SOH07U40.C0	7U 19" Wall-Mounted SOHO Cabinet W=540mm D=400mm	600x400x600 mm	16 kg
SM.SOH09U40.C0	9U 19" Wall-Mounted SOHO Cabinet W=600mm D=600mm	600x490x600 mm	19 kg
SM.SOH12U40.C0	12U 19" Wall-Mounted SOHO Cabinet W=600mm D=600mm	600x620x600 mm	24 kg

C0 = Color Code ,C 0 2 refers to Light Gray RAL 7035 and C 0 1 to Black RAL 9005, please add it when ordering !



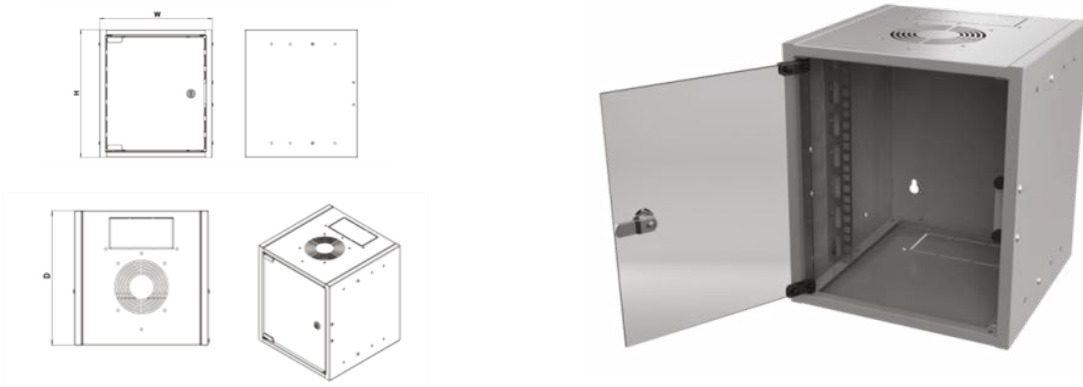
10"SO-BOX

SO-BOX 10"SOHO WALL TYPE CABINET



10"SO-BOX

SO-BOX 10''SOHO WALL TYPE CABINET



Soho box; series Wall mounted cabinets are the preferred products with 10" W=330mm D=300mm physical dimensions, low cost requirement and superior logistics cost efficiency.

D=300mm; In a single U height, different lengths and depths can be produced in line with customer demand. D=300mm offers simple network distribution with its 6U height dimension.

10" Soho-box; Network Wall mounted cabinets are standardized as assembled and disassembled. Flatpack option saves up to 60% on shipping costs and warehouse space.

Product Code	Product Description W=300 D=300 mm	Dimensions (W*H*D)	Product Kg
SM.SOH106U30.C0	6U 10" Wall Mounted SOHO Cabinet W=315mm D=300mm	300x350x300 mm	5 kg

C0 = Color Code, C0 2 refers to Light Gray RAL 7035 and C0 1 to Black RAL 9005, please add it when ordering !

Product Code	Product Description	Dimensions (W*H*D)
SM.1U108PRJ45P.C0	1U 10" RJ45 PANEL	254X44.45X10



Product Code	Product Description	Dimensions (W*H*D)
SM.1U10SR.C0	1U 10" MODEM SHELF	254X44.45X250



Product Code	Product Description	Dimensions (W*H*D)
SM.1U10KP.C0	1U 10"BLANK PANELS	254X44.45X10



Product Code	Product Description	Dimensions (W*H*D)
SM.1U10KNC.C0	1U10 CABLE MANAGEMENT	254X44.45X60



Product Code	Product Description	Dimensions (W*H*D)
SM.1/2FP10.C0	1U 10"1/2 BRUSH PANEL	254X22X10



Product Code	Product Description	Dimensions (W*H*D)
SM.1U103P.C0	1U 10"3 SOCKET PANEL	90x90x45

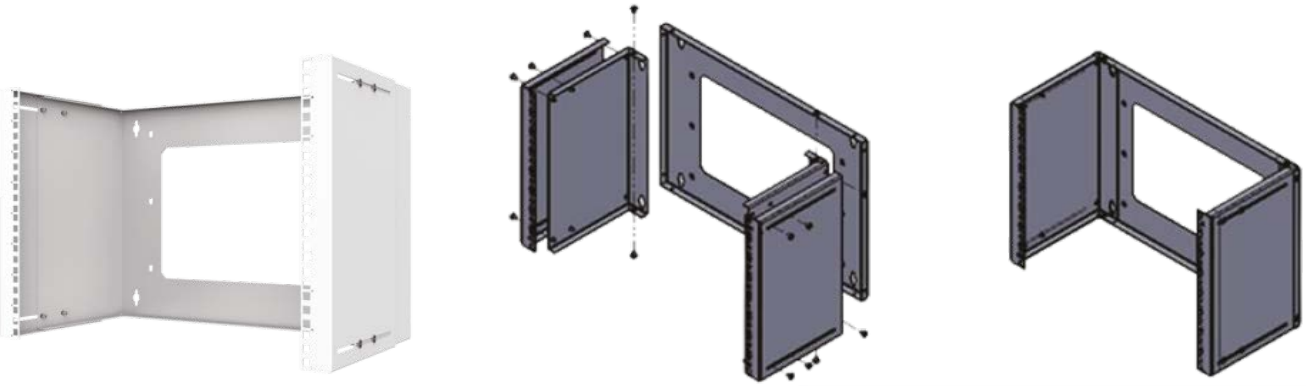




SEMY

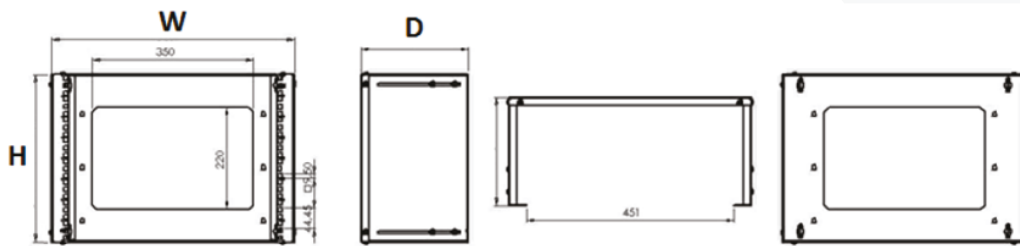
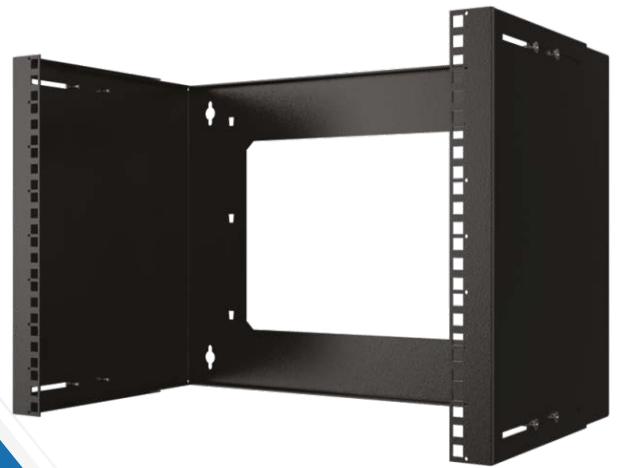
ENGINEERING & CONSULTING GMBH

19" BRACKETS | WALL MOUNT



TECHNICAL SPECIFICATIONS

It is manufactured in 19" 1U, 2U, 4U, 6U, 8U and 9U heights.
 With adjustable depth mechanism
 high quality production
 Safe, solid steel construction
 Suitable for wall mounting
 Affordable, economical solution
 Carrying Capacity: 15 kg
 Surface Treatment
 Phosphate Coating
 Color : Ral 7035 and Ral 9005



Product Code	Product Description W=530 D=230 mm	Dimensions (W*H*D)	Product Kg
SM.BR2U230.C0	2U 19" Wall Mount Bracket	530x95x230 mm	2 kg
SM.BR4U230.C0	4U 19" Wall Mount Bracket	530x185x230 mm	3.5 kg
SM.BR6U230.C0	6U 19" Wall Mount Bracket	530x270x230 mm	5 kg
SM.BR8U230.C0	8U 19" Wall Mount Bracket	530x360x230 mm	6.5 kg
SM.BR9U230.C0	9U 19" Wall Mount Bracket	530x405x230 mm	7.5 kg

C0 = Color Code ,C 0 2 refers to Light Gray RAL 7035 and C 0 1 to Black RAL 9005, please add it when ordering !



OPEN SYSTEM | 19" WALL TYPE CABINET

TECHNICAL SPECIFICATIONS

It is manufactured in 19" 7U, 9U, 12U, 16U, 20U and heights.

With adjustable depth mechanism

High quality production

Safe, solid steel construction

Suitable for wall mounting

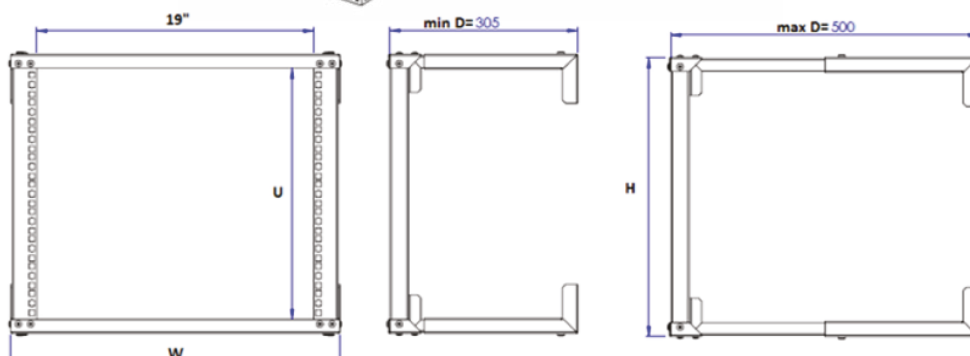
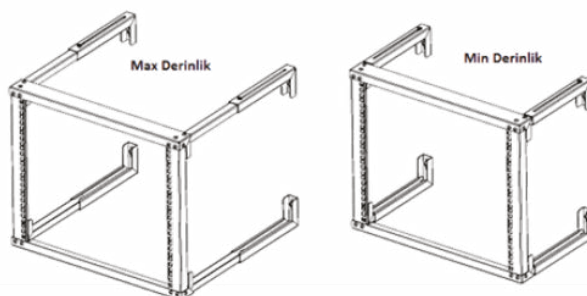
Affordable, economical solution

Carrying Capacity: 30 kg

Surface Treatment

Phosphate Coating

Color : Ral 7035 and Ral 9005



Product Code	Product Description W=530 mm	Dimensions (W*H*D)	Product Kg
SM.ORW7U35.C0	7U 19" Open System Wall Mounted Rack Cabinet	530x410 mm	6 kg
SM.ORW9U35.C0	9U 19" Open System Wall Mounted Rack Cabinet	530x455 mm	7.5 kg
SM.ORW12U35.C0	12U 19" Open System Wall Mounted Rack Cabinet	530x588 mm	10kg
SM.ORW16U35.C0	16U 19" Open System Wall Mounted Rack Cabinet	530x765 mm	12 kg
SM.ORW20U35.C0	20U 19" Open System Wall Mounted Rack Cabinet	530x940 mm	14kg

C0 = Color Code ,C 0 2 refers to Light Gray RAL 7035 and C 0 1 to Black RAL 9005, please add it when ordering !



REGLET BOX

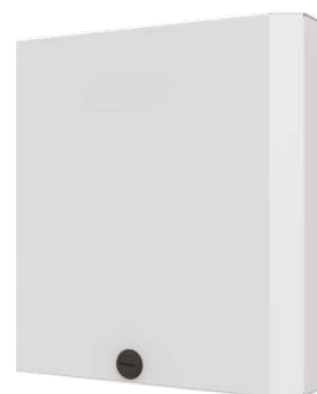
PHONE REGLET BOX



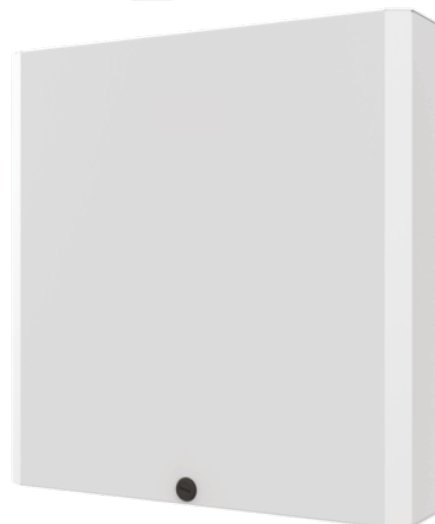
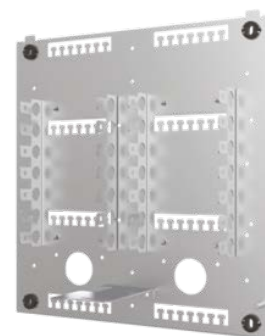
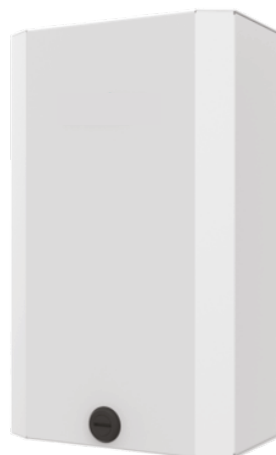
TELEPHONE REGLET BOX | WALL TYPE

TECHNICAL SPECIFICATIONS

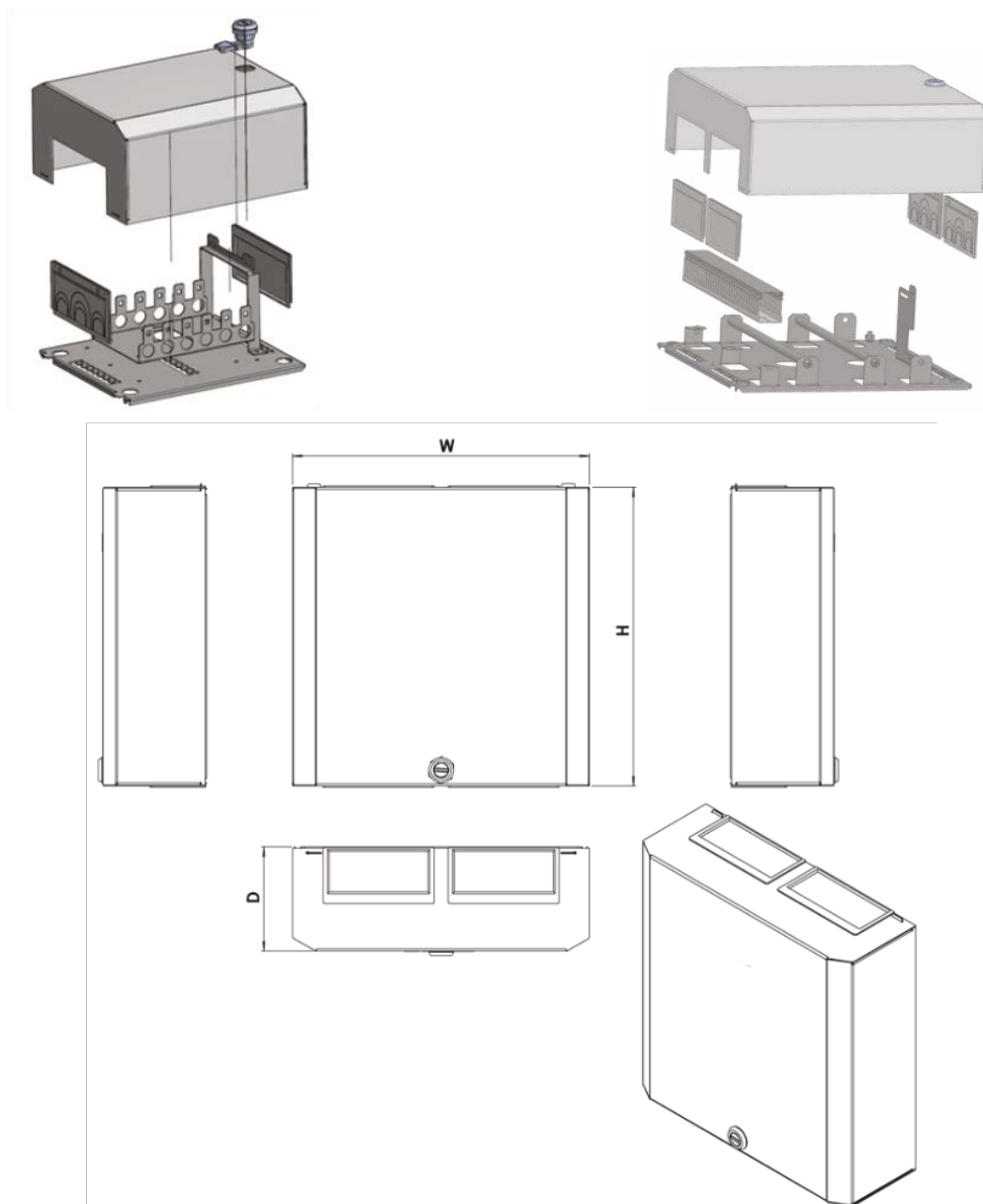
Description: Reglet enclosure
 Version: Phone distribution box
 Installation type: Surface mounted
 Maximum number of double cores (DA): 60, 70, 160 and 320 pairs
 Mounting size (standard)
 DIN compliant: No
 110 compatible: No
 LSA: Yes
 SID: No
 Material: steel sheet
 Degree of protection (IP): IP42
 Color: White Ral7035
 Height: 235 - 335 - 555 mm
 Width: 205 - 335 mm
 Depth: 115mm



Telephone reglet dispenser enclosures Reglets can be attached to round bars. Thanks to IP 42 cable entries and cable guides made of plastic, your devices are safe



TELEPHONE REGLET BOX | WALL TYPE



Product Code	Product Description W=115 mm	Dimensions (W*H*D)	Product Kg
SM.RGDK60.C02	Telephone Reglet Distribution Box Capacity (60 pairs)	205x235x115 mm	2 kg
SM.RGDK70.C02	Telephone Reglet Distribution Box Capacity (70 pairs)	205x335x115 mm	3.5 kg
SM.RGDK160.C02	Telephone Reglet Distribution Box Capacity (160 pairs)	335x335x115 mm	5 kg
SM.RGDK320.C02	Telephone Reglet Distribution Box Capacity (320 pairs)	335x555x115 mm	6.5 kg

C0 = Color Code ,C 0 2 refers to Light Gray RAL 7035 and C 0 1 to Black RAL 9005, please add it when ordering !



COLLECTOR PANEL

FINISHED COLLECTOR PANEL



COLLECTOR PANEL

FINISHED COLLECTOR PANEL

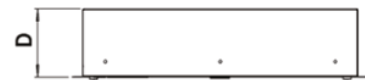
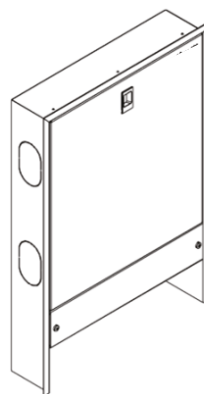
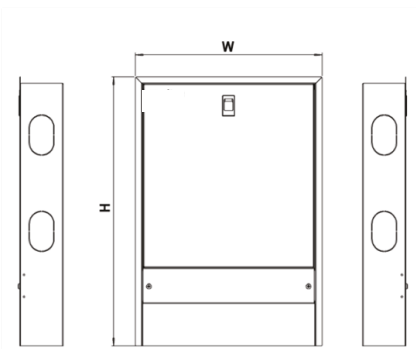
TECHNICAL SPECIFICATIONS

Material: 1mm DKP Steel sheet
Width: 400-600-800mm
Height: 400-600
Depth: 100mm
Color options: RAL9005 black or RAL7035 light gray
 Lockable and removable slide-lock front covers for easy access
 Standard front metal cover (optional perforated or glass front cover is produced) Screw-down removable bottom panel Durable design
 Extra space efficiency
 Recessed or surface-mounted use
 Wall Mount anchors
 Microjoint 4-way pipe entries



Collector cabinets:

These are metal cabinets used to compile and assemble the collectors used in cold and hot water distribution in buildings. The design of the collector cabinets is flush mounted. It is a product that can be used without occupying space and without creating visual pollution. The standard color is Ral 7035- Ral 9005 white and black. Project-based design and production can be made according to the color of the environment.



Product Code	Product Description H=600 D=100 mm	Dimensions (W*H*D)	Product Kg
SM.KL406010.C0	W=400 H=600 D=100 COLLECTOR CABINET	400x600x100mm	2 kg
SM.KL606010.C0	W=600 H=600 D=100 COLLECTOR CABINET	600x600x100mm	3,5 kg
SM.KL806010.C0	W=800 H=600 D=100 COLLECTOR CABINET	800x600x100mm	5 kg

C0 = Color Code ,C 0 2 refers to Light Gray RAL 7035 and C 0 1 to Black RAL 9005, please add it when ordering !



SLIM-BOX

SLIM-BOX SLIMLINE WALL TYPE CABINET



SLIM BOX | SLIM WALL MOUNTED CABINET

TECHNICAL SPECIFICATIONS

Total of 3 rectangular breakable cable entries in 48x100mm dimensions

Flaps are available on the side and bottom, on the rear body.

- 3U+2U=5U

- 19" Device Installation

- It has rails configuration.

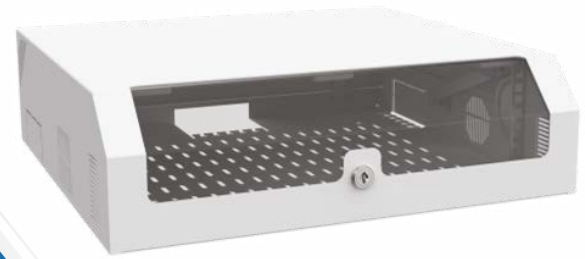
- 3U 19" device mounting rails from 90 degree vertical to horizontal position can be rotated.

- 3U 19" device mounting rails will be combined with 5U 19" device mounting rails

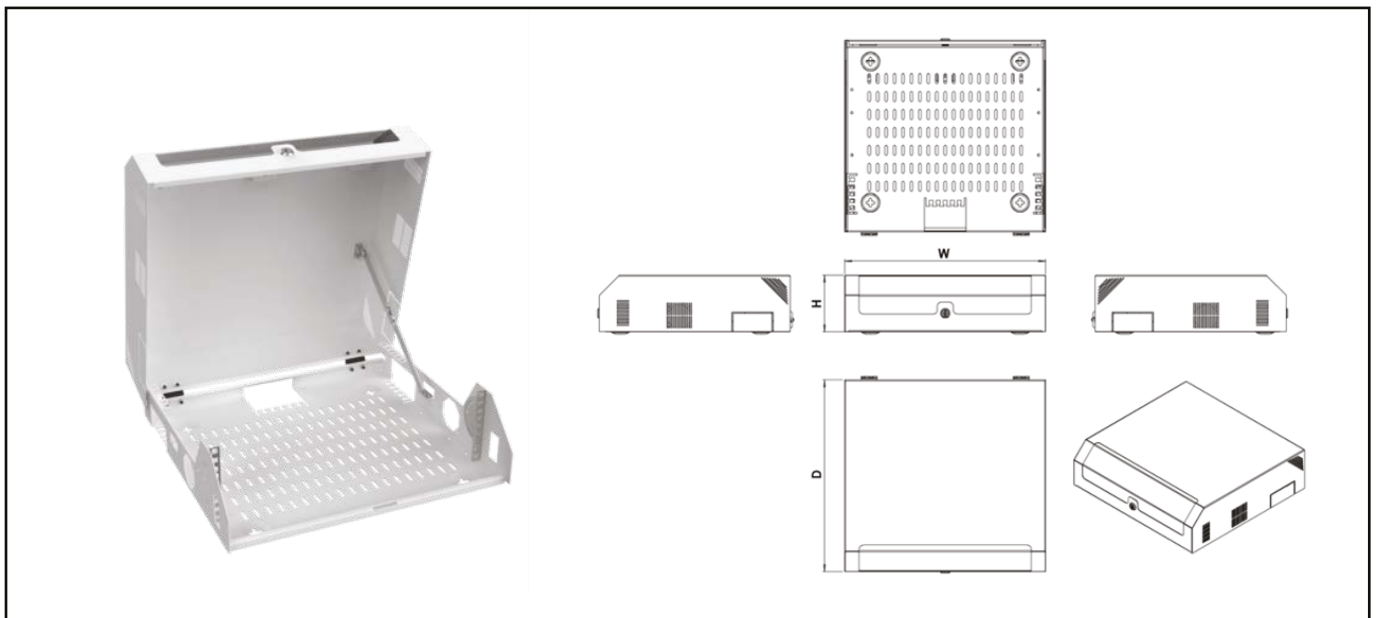
It can be slid in a way that gives access to a U mounting area with a total length of 5U.

- 5U 19" device mounting rails can be slid up and down.

- All 19" device mounting rails are attached to the cabinet with wing nuts.



Slim Box; Slim-box wall-mounted cabinets lim-box all-mounted abinets are used in applications where easy access is the most important factor. It is designed to accommodate standard 19" equipment. It has been designed with maximum decorative harmony in mind for residential and villa style buildings, modern and elegant offices, hotel receptions and other living spaces. Slim-box cabinets provide a remarkable economic application thanks to the ease of installation they offer in network technologies and electronic infrastructure applications. Offering 3U+5U=8U usage area, Slim-box wall mounted cabinets are offered in a lockable structure with a metal front cover and a cylindrical "O" type lock from the front. Transparent polycarbonate front cover, Cable entry facilities are provided as standard at the bottom, top and back.



Product Code	Product Description W=500 D=475 mm	Dimensions (W*H*D)	Product Kg
SM.SLM5U.C0	3U+2U 19" Wall Mounted SLIM Cabinet W=500mm D=475mm	500x140x475 mm	8 kg

C0 = Color Code ,C 0 2 refers to Light Gray RAL 7035 and C 0 1 to Black RAL 9005, please add it when ordering !



RESIDENTIAL

RESIDENT WALL TYPE CABINET



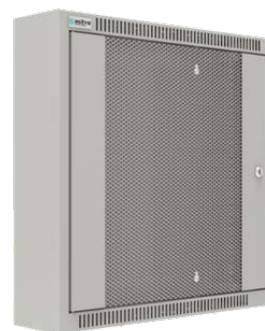
RESIDEITIAL | WALL MOUNTED CABINET



Full Metal Door (M)



Glass Door (C)

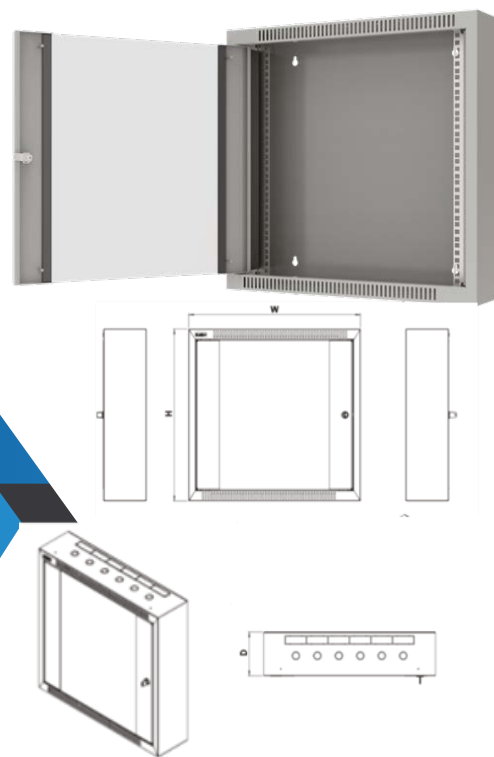


Perforated Door (P)

Residential Cabinets show maximum adaptation to the environment and living spaces. It has metal, glass and perforated front cover design. Features: 2 pieces of 19" device mounting posts, have serigraphed U numbers, can be adjusted in depth. The device mounting brackets, which are 8-12 micron zinc plated, are 1.5mm thick.

Features:

- It has a wide variety of uses.
- Passive ventilation slots are located on the lower and upper chassis fronts.
- For cable entry, 6 pieces of 26x72.5mm rectangular, breakable cable entry covers are available on the lower and upper chassis. There are also cable entry openings suitable for mounting 6 PVC glands of 1" (inch) size on the lower and upper chassis. In this way, it allows dense cable entry.
- Front cover opening direction can be adjusted from left to right or in reverse direction.
- It is lockable-detachable with a cylindrical "O" type lock.
- The material thickness is 1.2mm.
- It has a solid, welded construction and heavy-duty body.
- 3 different U heights: 07U, 09U, 12U



Product Code	Product Description W=600 D=150 mm	Dimensions (W*H*D)	Product Kg
SM.WINR07U15.C0	7U 19" Win-R Wall Mounted Cabinet W=600mm D=150 mm	600x440x150 mm	9 kg
SM.WINR09U15.C0	9U 19" Win-R Wall Mounted Cabinet W=600mm D=150 mm	600x525x150 mm	11 kg
SM.WINR12U15.C0	12U 19" Win-R Wall Mounted Cabinet W=600mm D=150 mm	600x660x150 mm	15 kg
Product Code	Product Description W=600 D=300 mm	Dimensions (W*H*D)	Product Kg
SM.SOH07U40.C0	7U 19" Win-R Wall Mounted Cabinet W=600mm D=300mm	600x440x300 mm	16 kg
SM.SOH09U40.C0	9U 19" Win-R Wall Mounted Cabinet W=600mm D=300mm	600x525x300 mm	19 kg
SM.SOH12U40.C0	12U 19" Win-R Wall Mounted Cabinet W=600mm D=300mm	600x660x300 mm	18 kg

C0 = Color Code ,C 0 2 refers to Light Gray RAL 7035 and C 0 1 to Black RAL 9005, please add it when ordering !



LAPTOP | WALL MOUNTED CABINET

LAPTOP TABLET MOBILE SCHOOL CHARGING STORAGE CABINET

TECHNICAL SPECIFICATIONS

Uses: schools, colleges, universities, training

room, **office and e-class** **Material:** cold steel

Capacity: 10-20-30-40 pieces

Compatibility: I Pad or laptop size can be produced **Compatible with all models** **Design:** charging cabinet

Input power: 100-240 ~ 50/60HZ

Output power: 5V/2A (standard, customize)

Working temperature: -15°-65°

Product Dimension: 600x600

Type : It can be used on the floor or on the wall on wheels.

Flexible color combinations for different options.

Functions: storage, security, transmission, charging, data synchronization and other functions.



Product Code	Product Description W=600 D=600 mm	Dimensions (W*H*D)	Product Kg
SM.9U6060LAP.C0	9U 19 600x600 Wall Mounted Cabinet Lap Top Cabinet	600x600x500 mm	18 kg

C0 = Color Code ,C 0 2 refers o Light Gray RAL 7035 and C 0 1 to Black RAL 9005, please add it when ordering !



UNDER FLUSH PANEL

FLUSH WALL MOUNTED PANEL



FLUSH MOUNTED | WALL MOUNTED BOARD

TECHNICAL SPECIFICATIONS

Degree of Protection - IP54 / IP55
Material - 1.0mm; 1.2mm DKP Sheet Color - RAL 7035 Possible
Dimensions:
 Width - 400-800 mm
 Height - 300-1000 mm
 Depth - 160 mm
 Special dimensions are made upon request.

Standard Configuration :

Body - 1 pc.
 Front Door - 1 pc. (Standard Full Metal)
 Cover Plate - The number is determined according to the size H.
 Cover Plate Holder Profile - 2 pcs.
 Lock - 1 pc.
 Base Plate - 1 pc.
 Spring Hinges - 1 tkm.

19" Standard Configuration :

Body - 1 pc.
 Front Door - 1 pc. (Standard Full Metal)
 19" Uprights - 2 pcs.
 Lock - 1 pc.
 Spring Hinges - 1 tkm.
 Base Plate - 1 pc.



Glazed Frame (CP)



Full Metal Door (M)



Perforated Door (D)



Louvered Door (P)

For cover models, you can use the letters C-M-P-CP-D at the end of the codes. The standard is M.



Recessed panels: Designed for indoor and outdoor applications. They are used in distribution systems, low voltage systems, low power compensation and MCC systems. They are very useful structures especially in the lighting of offices and buildings. They are protected against water and dust. The cabinets are perfectly matched to the door seal with the multi-bending waterway. Narrow side bend provides extra space for installation inside. The inner mounting plate can be easily removed.

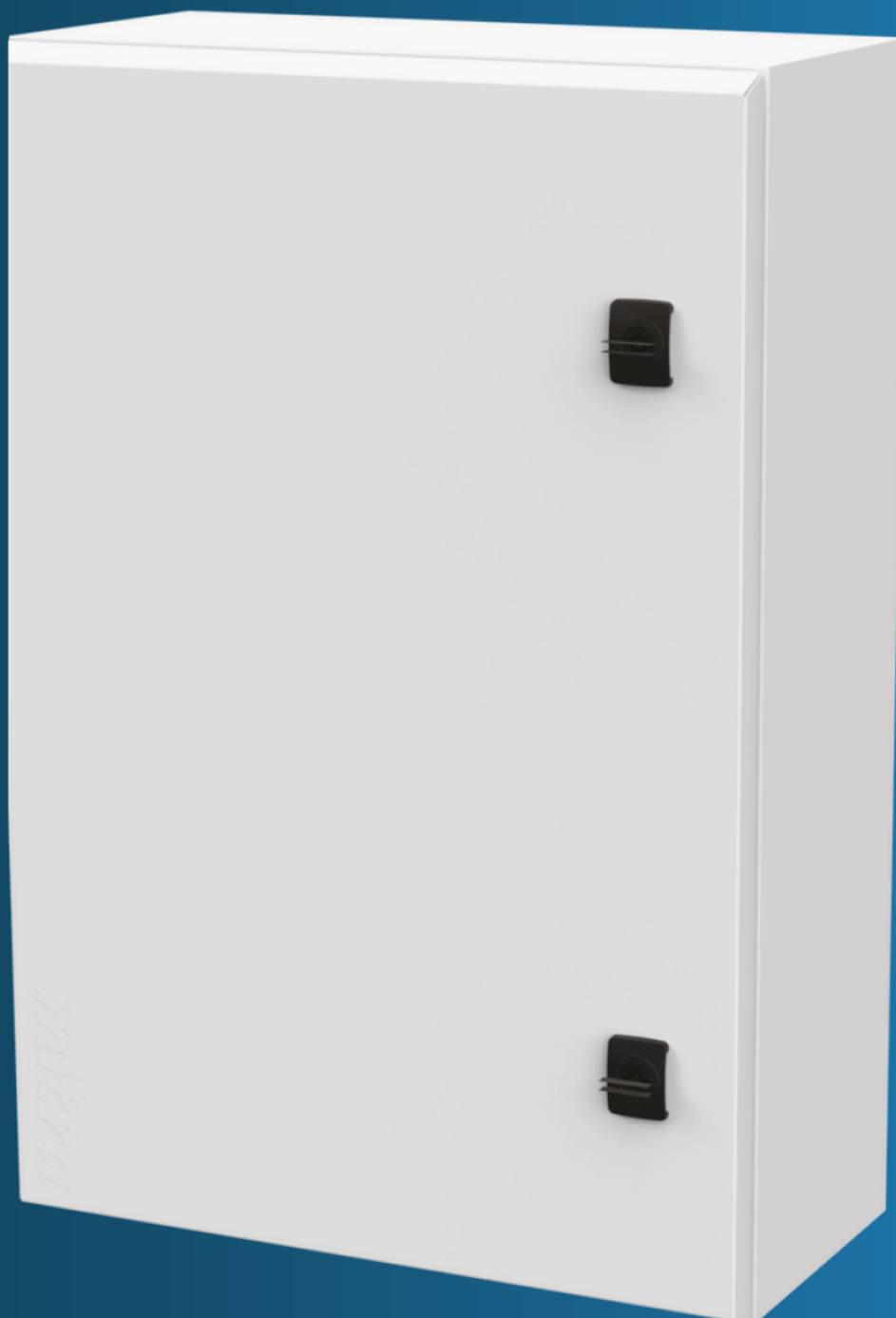
W=400 Flush mounted wall mounted panels)		W=500 Flush mounted wall mounted panels)		W=600 Flush mounted wall mounted panels)	
Product Code	Dimensions (W*H*D)	Product Code	Dimensions (W*H*D)	Product Code	Dimensions(W*H*D)
SM.FM401630M.C0	400x300x160 mm	SM.FM501630M.C0	500x300x160 mm	SM.FM601630M.C0	600x300x160 mm
SM.FM401640M.C0	400x400x160 mm	SM.FM501640M.C0	500x400x160 mm	SM.FM601640M.C0	600x400x160 mm
SM.FM401650M.C0	400x500x160 mm	SM.FM501650M.C0	500x500x160 mm	SM.FM601650M.C0	600x500x160 mm
SM.FM401660M.C0	400x600x160 mm	SM.FM501660M.C0	500x600x160 mm	SM.FM601660M.C0	600x600x160 mm
SM.FM401680M.C0	400x800x160 mm	SM.FM501680M.C0	500x800x160 mm	SM.FM601680M.C0	600x800x160 mm
SM.FM4016100M.C0	400x1000x160 mm	SM.FM5016100M.C0	500x1000x160 mm	SM.FM60 016100M.C0	600x1000x160 mm

C0 = Color Code ,C 0 2 refers to Light Gray RAL 7035 and C 0 1 to Black RAL 9005, please add it when ordering !



FLOOR SHEET PANEL

IP65 BOARD WITH BASE SHEET



IP65 | FLOOR SHEET PANEL

TECHNICAL SPECIFICATIONS

Degree of Protection: IP65

Material: 1.2mm DKP Sheet

Color: RAL 7035 Width: 200-300-400-500-600-800

Height: 300-400-500-600-700-800-1000-1200

Depth: 250-300-350-400-500-600

Optional special dimensioning is made.

Standard Configuration: Body-1 piece

Front cover - 1 pc Lock-1 pc

Lid hinge-1 pc

Base plate-1 piece Mounting kit-1 pc

Bottom cable closure - 1 piece



- » They are suitable designs for wall, floor or pole mounting. Solid welded metal body for high strength. Full compatibility with edge bends and head gasket. More space for interior mounting with narrow side bends. The floor sheet can be easily taken into or out of the panel. Provides IP65 protection and water (IEC EN60529) Provides IK10 resistance against external impacts (IEC EN62262) Henkel Bonderite Nanotechnology based on Nano-Zirconium, suitable for 600 hours salt test resistance coated with RAL 7035 fine grainy color, 70-90 micron thick

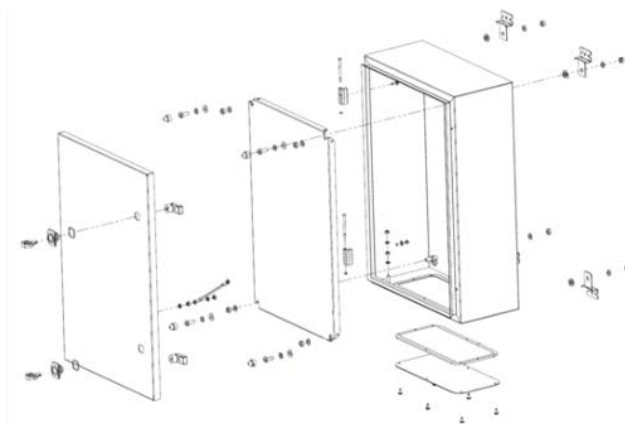


- » IP65 Wall Mounted Panels with Base Sheet: Industry / Automation / Electrical Panels are used in indoor and outdoor applications for electrical distribution, automation, command control purposes
- » Cover reinforced with multi-layered twists for high strength. There are single/double locks on the cover and the opening direction of the cover can be changed. Zamak hinges have high corrosion resistance. Polyurethane cast gasket for sealing on the lid. Mesan brand high quality locks. Vertical mounting strips on the cover that allow mounting at every 25 mm. Cable entry protected by a sealed cover at the bottom Sturdy mounting brackets.

- » The main body is formed by welding the lower and upper parts with the twisted center piece. Multi-twisted body and welding provide extra strength against load bearing and external impacts.
- » The structure of the cover is reinforced in terms of rigidity and flatness with multiple twists and folds. Better sealing protection ensures proper contact with the gasket.
- » Base plate (Mounting plate) - manufactured from galvanized sheet.
- » Cable entry closure panel prevents dust & water entry room the cable entry section. Wall mounting brackets, high without deformation provides transportation against loads of large quantities



IP 65 | FLOOR SHEET PANEL



D=250 IP65 Panels

Product Code	Dimensions (W*H*D)
SM.IP65203025.C0	200x300x250 mm
SM.IP65303025.C0	300x300x250 mm
SM.IP65304025.C0	300x400x250 mm
SM.IP65404025.C0	400x400x250 mm
SM.IP65405025.C0	400x500x250 mm
SM.IP65406025.C0	400x600x250 mm
SM.IP65406025.C0	500x600x250 mm
SM.IP65406025.C0	600x600x250 mm

D=300 IP65 Panels

Product Code	Dimensions (W*H*D)
SM.IP65203030.C0	200x300x300 mm
SM.IP65303030.C0	300x300x300 mm
SM.IP65304030.C0	300x400x300 mm
SM.IP65404030.C0	400x400x300 mm
SM.IP65405030.C0	400x500x300 mm
SM.IP65406030.C0	400x600x300 mm
SM.IP65406030.C0	500x600x300 mm
SM.IP65406030.C0	600x600x300 mm

D=350 IP65 Panels

Product Code	Dimensions (W*H*D)
SM.IP65203035.C0	200x300x350 mm
SM.IP65303035.C0	300x300x350 mm
SM.IP65304035.C0	300x400x350 mm
SM.IP65404035.C0	400x400x350 mm
SM.IP65405035.C0	400x500x350 mm
SM.IP65406035.C0	400x600x350 mm
SM.IP65406035.C0	500x600x350 mm
SM.IP65406035.C0	600x600x350 mm

D=400 IP65 Panels

Product Code	Dimensions (W*H*D)
SM.IP65606040.C0	600x600x400 mm
SM.IP65607040.C0	600x700x400 mm
SM.IP65608040.C0	600x800x400 mm
SM.IP656010040.C0	600x1000x400 mm
SM.IP65806040.C0	800x600x400 mm
SM.IP65808040.C0	800x800x400 mm
SM.IP658010040.C0	800x1000x400 mm
SM.IP658012040.C0	800x1200x400 mm

D=500 IP65 Panels

Product Code	Dimensions (W*H*D)
SM.IP65203050.C0	200x300x500 mm
SM.IP65303050.C0	300x300x500 mm
SM.IP65304050.C0	300x400x500 mm
SM.IP65404050.C0	400x400x500 mm
SM.IP65405050.C0	400x500x500 mm
SM.IP65406050.C0	400x600x500 mm
SM.IP65406050.C0	500x600x500 mm
SM.IP65406050.C0	600x600x500 mm

D=600 IP65 Panels

Product Code	Dimensions (W*H*D)
SM.IP65203060.C0	200x300x600 mm
SM.IP65303060.C0	300x300x600 mm
SM.IP65304060.C0	300x400x600 mm
SM.IP65404060.C0	400x400x600 mm
SM.IP65405060.C0	400x500x600 mm
SM.IP65406060.C0	400x600x600 mm
SM.IP65406060.C0	500x600x600 mm
SM.IP65406060.C0	600x600x600 mm



DVR-CABINET

DVR CAMERA RECORD CABINET



DVR-CABINET

WALL MOUNTED DVR CABINET

GENERAL FEATURES:

- Welded monoblock body – 1.50mm
- Vertical opening door with one point locking, 27° and 90° steps. There are also 2 lock options with different passwords.
- Ventilation holes for passive cooling inside the box
- In-lid mounting capability for 19" DVR device
- Adjustable fixing plates for device mounting.
- Rubber fixing gaskets that prevent damage to the device by applying pressure on the device during the opening and closing of the cover.
- Movable mounting plate for 12" display mounting on rear wall
- variation by model
- 5 different cable entry points on the body: top, bottom, left, right and rear wall.
- 1U mounting bracket for mounting 10" Socket module in the upper part of the body.
- Robust and fine-textured Electrostatic Powder Paint application 90 micron.
- Maximum loading capacity : 50 kg

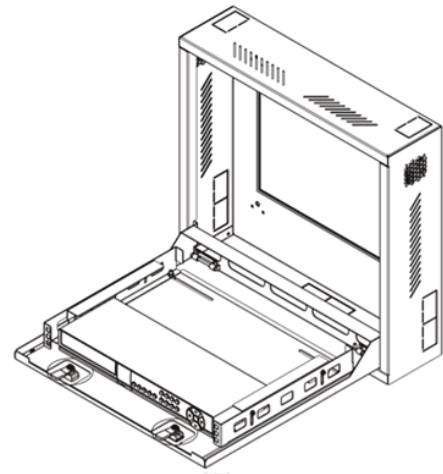
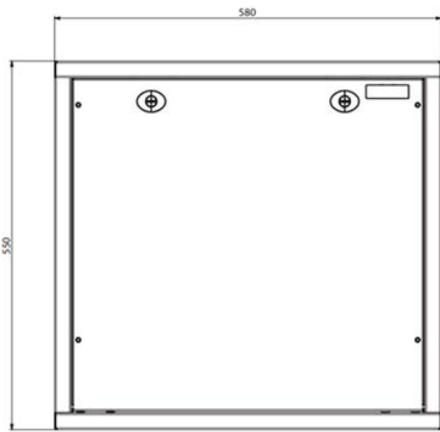
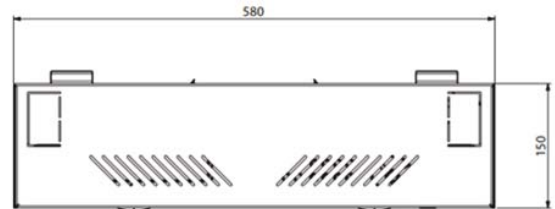


Wall Mounted DVR Cabinet

Wall Mounted 19" DVR Cabinets provide space saving and aesthetic appearance thanks to their vertical mounting. It provides perfect compatibility and ease of use for Network, Security, DVR, Audio and Cabling Systems applications. Suitable for mounting all DVR devices.



D V R | D V R B O X



Product Code	Product Description W=580 D=550 mm	Dimensions (W*H*D)	Product Kg
SM.DV1U5855150.C0	Security cabinet for 1U DVR Video System	580x550x150 mm	18 kg
SM.DV2U5855150.C0	Security cabinet for 2U DVR Video System	580x550x200 mm	20 kg
SM.DV1U5855150.C0	Security cabinet & Monitor mount front cover for 1U DVR Video System	580x550x150 mm	19 kg
SM.DV1U5855150.C0	Security cabinet & Monitor mount front cover for 2U DVR Video System	580x550x200 mm	21 kg

C0 = Color Code ,C 0 2 refers to Light Gray RAL 7035 and C 0 1 to Black RAL 9005, please add it when ordering !



IP PANELS

IP54-IP55-IP66 PANELS



IP54



IP55



IP66



IP 54 | INDOOR BOARD

IP54 wall mounted field enclosures: the indoor cabinet is designed for industrial applications. It prevents dust and water ingress in IP54 protection class.

It provides IP54 class protection when you are equipped with a fan and filter. Application areas are semi-open areas such as factories, warehouses and porches that are not exposed to rain and environmental factors.

Fully sealed doors, IP54 class zamak lock, 2-point locking system and insulated cable entries offer the best performance in water and dust protection.

The highest corrosion resistance is provided with RAL 7035 light gray epoxy polyester electrostatic powder paint applied on the monoblock welded structure made of 1.5mm sheet metal.

The product offers passive ventilation with filtered air inlet and outlet as standard.

When desired, the system can be converted to fan cooling by integrating the fan.

There is a metal ventilated cover on the top cover of IP54 cabinets to protect it from splashing water.



TECHNICAL SPECIFICATIONS

Material: Steel sheet - monoblock welded structure

Width: 600 mm

Height: 7U, 9U, 12U, 16U, 20U, (490mm, 580mm, 710mm, 890mm, 1065mm)

Depth: 450, 600 mm

600 hours salt spray test resistance with epoxy polyester electrostatic powder paint

Color: RAL 7035 light gray 2-point locking system with Zamak handle

Integrated fan filter housing

Top cover providing IP54 protection and allowing fan mounting

IP54 compliant cable entry points (2xPG21, 1xPG48)

1 set: 2 sewing devices positioned at the front

Loading Capacity: 500 K G

Product Code	Product Description W=600 D=450 mm	Dimensions (W*H*D)	Product Kg
SM.IP54W07U45.C2	7U 19" Wall Mounted IP54 Cabinet W=600mm D=450mm	600x410x450 mm	19 kg
SM.IP54W09U45.C2	9U 19" Wall Mounted IP54 Cabinet W=600mm D=450mm	600x500x450 mm	22 kg
SM.IP54W12U45.C2	12U 19" Wall Mounted IP54 Cabinet W=600mm D=450mm	600x630x450 mm	27 kg
SM.IP54W16U45.C2	16U 19" Wall Mounted IP54 Cabinet W=600mm D=450mm	600x810x450 mm	28 kg
SM.IP54W19U45.C2	20U 19" Wall Mounted IP54 Cabinet W=600mm D=450mm	600x1000x450 mm	30 kg
Product Code	Product Description W=600 D=600 mm	Dimensions (W*H*D)	Product Kg
SM.IP54W07U60.C2	7U 19" Wall Mounted IP54 Cabinet W=600mm D=600mm	600x410x600 mm	23 kg
SM.IP54W09U60.C2	9U 19" Wall Mounted IP54 Cabinet W=600mm D=600mm	600x500x600 mm	26 kg
SM.IP54W12U60.C2	12U 19" Wall Mounted IP54 Cabinet W=600mm D=600mm	600x630x600 mm	30 kg
SM.IP54W16U60.C2	16U 19" Wall Mounted IP54 Cabinet W=600mm D=600mm	600x810x600 mm	32 kg
SM.IP54W19U60.C2	20U 19" Wall Mounted IP54 Cabinet W=600mm D=600mm	600x1000x600 mm	33 kg

C0 = Color Code ,C 0 2 refers to Light Gray RAL 7035 and C 0 1 to Black RAL 9005, please add it when ordering !



IP 55 | INDOOR BOARD

IP55 wall mounted field boards are designed for indoor and outdoor cabinet industrial applications as wall, floor and pole type.

It prevents dust and water ingress in IP55 protection class according to EN60529 standard. When equipped with wall-mounted IP55 fan and filter, it provides IP54 class protection.

Application areas are semi-open areas such as factories, warehouses and porches that are not exposed to direct rain and environmental factors.

Fully sealed doors, IP55 class zamak standard 2-point and optional 3-point locking system and insulated cable entries offer the best performance in water and dust protection.

The highest corrosion resistance is provided with RAL 7035 light gray epoxy polyester electrostatic powder paint applied on the monoblock welded structure made of 1.5mm sheet metal.

The product offers passive ventilation with filtered air inlet and outlet as standard. When desired, the system can be converted to fan cooling by integrating the fan. It is secured with a graduated cap on the fan closure in the outdoor cabinets against all kinds of adverse weather conditions.



TECHNICAL SPECIFICATIONS

Material: - monoblock welded structure

Width: 600mm

Height: 7U, 9U, 12U, 16U,20U,22U,26U,32U,36U,42U
(490mm, 580mm, 710mm, 890mm,1065mm,1150mm,1325mm,1590mm,1855mm)

Depth: 450, 600 mm

600 hours salt spray test resistance with epoxy polyester electrostatic powder paint

Color: RAL 7035 light gray

3-point locking system with zamak handle

Integrated fan filter housing

Top cover providing IP55 protection and allowing fan mounting

IP55 compliant cable entry points (2xPG21, 1xPG48)

1 set: 2 sewing devices positioned at the front

Loading capacity: 500kg

Product Code	Product Description W=600 D=450 mm	Dimensions (W*H*D)	Product Kg
SM.IP55W07U45.C2	7U 19" Wall Mounted IP55 Cabinet W=600mm D=450mm	600x410x450 mm	22 kg
SM.IP55W09U45.C2	9U 19" Wall Mounted IP55 Cabinet W=600mm D=450mm	600x500x450 mm	24 kg
SM.IP55W12U45.C2	12U 19" Wall Mounted IP55 Cabinet W=600mm D=450mm	600x630x450 mm	28 kg
SM.IP55W16U45.C2	16U 19" Wall Mounted IP55 Cabinet W=600mm D=450mm	600x810x450 mm	30 kg
SM.IP55W19U45.C2	20U 19" Wall Mounted IP55 Cabinet W=600mm D=450mm	600x1000x450 mm	35 kg
Product Code	Product Description W=600 D=600 mm	Dimensions (W*H*D)	Product Kg
SM.IP55W07U60.C2	7U 19" Wall Mounted IP55 Cabinet W=600mm D=600mm	600x410x600 mm	27 kg
SM.IP55W09U60.C2	6U 19" Wall Mounted IP55 Cabinet W=600mm D=600mm	600x500x600 mm	30 kg
SM.IP55W12U60.C2	12U 19" Wall Mounted IP55 Cabinet W=600mm D=600mm	600x630x600 mm	33 kg
SM.IP55W16U60.C2	16U 19" Wall Mounted IP55 Cabinet W=600mm D=600mm	600x810x600 mm	35 kg
SM.IP55 W19U60.C2	20U 19" Wall Mounted IP55 Cabinet W=600mm D=600mm	600x1000x600 mm	42 kg

C0 = Color Code ,C 0 2 refers to Light Gray RAL 7035 and C 0 1 to Black RAL 9005, please add it when ordering !



IP 56 | INDOOR BOARD

TECHNICAL SPECIFICATIONS

Material: Stainless steel - monoblock welded structure

Model: Free Standing – IP66

Width: 600mm

Height: 7U,9U, 12U, 16U, 20U, (490mm, 580mm, 710mm, 890mm,1065mm) please contact for different sizes

3-point locking system with zamak handle

Base material outer 1.5mm galvanized DX51 D+Z275

Inner layer 1mm galvanized DX51 D+Z275

double wall structure

Integrated fan filter housing

10mm insulation material between outer and inner layer

600 hours salt spray test resistance with RAL7035 epoxy

polyester powder paint

Antigraffiti and insulpaint can be applied

IP66 protection level (EN60529)



Polyurethane gasket system providing IP66 level protection in EN 60529 standard, zamak locking system supporting IP protection class on the front cover

Easy-to-apply roof, IP protection in EN 60529 standard with safe fan unit, heat dissipation with hot air release via fan kit

Air inlet kit with filter, tool-free filter change with wing nuts 4 x 19" device mounting brackets with specified U heights, galvanized

Customized in PG sizes for cable entry - standard (1 x PG32, 4 x PG 16) PVC

H: 100 mm or H: 200 mm plinth for concrete installation

Monoblock welded body for stability and mechanical durability, special flange system against water and dust ingress.

P66 protection level in EN 60529 standard with polyurethane

Product Code	Product Description W=600 D=400 mm (1.5mm)	Dimensions (W*H*D)	Product Kg
MT.IP66Y60407U.C2	7U 19" Double Walled Floor Type Enclosure IP66 W=600 D=400	600x515x400 mm	34 kg
MT.IP66Y60409U.C2	9U 19" Double Walled Floor Type Enclosure IP66 W=600 D=400	600x605x400 mm	37 kg
MT.IP66Y604012U.C2	12U 19" Double Walled Floor Type Enclosure IP66 W=600 D=400	600x740x400 mm	43 kg
MT.IP66Y604016U.C2	16U 19" Double Walled Floor Type Enclosure IP66 W=600 D=400	600x915x400 mm	50 kg
MT.IP66Y604020U.C2	20U 19" Double Walled Floor Type Enclosure IP66 W=600 D=400	600x1095x400 mm	57 kg
MT.IP66Y602027U.C2	22U 19" Double Walled Floor Type Enclosure IP66 W=600 D=400	600x1185x400 mm	64 kg
MT.IP66Y602047U.C2	24U 19" Double Walled Floor Type Enclosure IP66 W=600 D=400	600x1365x400 mm	73 kg

Product Code	Product Description W=600 D=600 mm (1.5mm)	Dimensions (W*H*D)	Product Kg
MT.IP66Y60607U.C2	7U 19" Double Skin Floor Type External IP66 Cabinet W=600 D=600	600x515x600 mm	40 kg
MT.IP66Y60609U.C2	9U 19" Double Skin Floor Type External IP66 Cabinet W=600 D=600	600x605x600 mm	44 kg
MT.IP66Y606012U.C2	12U 19" Double Skin Floor Type External IP66 Cabinet W=600 D=600	600x740x600 mm	53 kg
MT.IP66Y606016U.C2	16U 19" Double Skin Floor Type External IP66 Cabinet W=600 D=600	600x915x600 mm	61 kg
MT.IP66Y606020U.C2	20U 19" Double Skin Floor Type External IP66 Cabinet W=600 D=600	600x1095x600 mm	70 kg
MT.IP66Y606022U.C2	22U 19" Double Skin Floor Type External IP66 Cabinet W=600 D=600	600x1185x600 mm	79 kg
MT.IP66Y606024U.C2	24U 19" Double Skin Floor Type External IP66 Cabinet W=600 D=600	600x1365x600 mm	87 kg

C0 = Color Code ,C 0 2 refers to Light Gray RAL 7035 and C 0 1 to Black RAL 9005, please add it when ordering !



IP55 FLOOR TYPE CABINET

IP55 FREE STANDING CABINET



IP55 FLOOR TYPE CABINET

IP55 FREE STANDING CABINET

IP55 Free Standing Industrial / Automation / Electrical Enclosures are used in indoor and outdoor 19" IT applications for electrical distribution, automation, command control purposes

In X & Y axes with closed section profile for high strength
 high strength
 High corrosion resistance with profiles made of DIN EN10142-2000 DX51 D+Z material
 Uniform profile section for all width-depth-height directions
 Easy assembly in minutes with its corner structure
 Easy fixable device uprights
 Mounting plate moves easily on solid profiles
 Provides IP55 protection against dust and water (IEC EN60529)
 Provides IK10 resistance against external impacts (IEC EN62262)
 Suitable for 600 hours salt test resistance, RAL 7035 Fine grained, 70-90 micron thick paint
 Reversible door with zamak hinge and 3-point lock system
 poly-urethane door seal
 Mesan brand high quality locks
 Disassembled shipment option for transportation cost advantage
 Maximum loading capacity: 1500 kg



AIR CONDITIONED
IP55 Cabinet



Single Door 600x800



Double Door Model



Single Door 800x800



TRIANGLE Top Hat



FLAT Standard
Top Hat



600x800
Glass Door Cabinet



Open Door
IP55 600x800 cabinet



Model with perforated
cover cabinet



Perforated open door
model cabinet



FORCE-XN

W=600X800 W=600 X1000 - FREE STANDING CABINET



Product Code	Product Description W=600X600 mm	Dimensions (W*H*D)
SM.IP55FS16U66.C0	16U Free Standing IP55 Cabinet W=600mm D=600mm	600x800x600 mm
SM.IP55FS22U66.C0	22U Free Standing IP55 Cabinet W=600mm D=600mm	600x1100x600 mm
SM.IP55FS26U66.C0	26U Free Standing IP55 Cabinet W=600mm D=600mm	600x1300x600 mm
SM.IP55FS32U66.C0	32U Free Standing IP55 Cabinet W=600mm D=600mm	600x1600x600 mm
SM.IP55FS36U66.C0	36U Free Standing IP55 Cabinet W=600mm D=600mm	600x1800x600 mm
SM.IP55FS42U66.C0	42U Free Standing IP55 Cabinet W=600mm D=600mm	600x2100x600 mm
Product Code	Product Description W=600X800 mm	Dimensions (W*H*D)
SM.IP55FS16U68.C0	16U Free Standing IP55 Cabinet W=600mm D=800mm	600x800x800 mm
SM.IP55FS22U68.C0	22U Free Standing IP55 Cabinet W=600mm D=800mm	600x1100x800 mm
SM.IP55FS26U68.C0	26U Free Standing IP55 Cabinet W=600mm D=800mm	600x1300x800 mm
SM.IP55FS32U68.C0	32U Free Standing IP55 Cabinet W=600mm D=800mm	600x1600x800 mm
SM.IP55FS36U68.C0	36U Free Standing IP55 Cabinet W=600mm D=800mm	600x1800x800 mm
SM.IP55FS42U68.C0	42U Free Standing IP55 Cabinet W=600mm D=800mm	600x2100x800 mm
Product Code	Product Description W=600X1000 mm	Dimensions (W*H*D)
SM.IP55FS16U61.C0	16U Free Standing IP55 Cabinet W=600mm D=1000mm	600x800x1000 mm
SM.IP55FS22U61.C0	22U Free Standing IP55 Cabinet W=600mm D=1000mm	600x1100x1000 mm
SM.IP55FS26U61.C0	26U Free Standing IP55 Cabinet W=600mm D=1000mm	600x1300x1000 mm
SM.IP55FS32U61.C0	32U Free Standing IP55 Cabinet W=600mm D=1000mm	600x1600x1000 mm
SM.IP55FS36U61.C0	36U Free Standing IP55 Cabinet W=600mm D=1000mm	600x1800x1000 mm
SM.IP55FS42U61.C0	42U Free Standing IP55 Cabinet W=600mm D=1000mm	600x2100x1000 mm
Product Code	Product Description W=800X1000 mm	Dimensions (W*H*D)
SM.IP55FS26U81.C0	26U Free Standing IP55 Cabinet W=800mm D=1000mm	800x1300x800 mm
SM.IP55FS36U81.C0	36U Free Standing IP55 Cabinet W=800mm D=1000mm	800x1800x800 mm
SM.IP55FS42U81.C0	42U Free Standing IP55 Cabinet W=800mm D=1000mm	800x2100x800 mm

C0 = Color Code ,C 0 2 refers to Light Gray RAL 7035 and C 0 1 to Black RAL 9005, please add it when ordering !





SEMY

ENGINEERING & CONSULTING GMBH

INDUSTRIAL TYPE MODULAR PANEL

INDUSTRIAL TYPE MODULAR PANEL



INDUSTRIAL TYPE MODULAR PANEL

INDUSTRIAL TYPE MODULAR PANEL



INDUSTRIAL TYPE | MODULAR BOARD

INDUSTRIAL TYPE MODULAR FLOOR TYPE ENCLOSURE

Free Standing Modular Enclosures are used in many different applications such as automation, industry, energy, electronics and telecommunication.

In order to easily meet special conditions and environmental requirements, different sizes, accessories and materials are provided upon request.

All products can be produced from sheet metal, stainless steel and aluminum and various coating options are available.

Maximum loading capacity: 1500 kg



IP54 Peak Fan



Full Metal Door



Louvered Metal Door



Slotted Metal Door



Filtered Door



Glass Door



Top Fan Model



Vertical Split Double Door



Horizontal Split Double Door



INDUSTRIAL TYPE | MODULAR BOARD

Product code	Product Description W=400 mm	Dimensions (W*H*D)
SM.044C140.C2	Free Standing Modular Cabinet W=400mm	400x1400x400 mm
SM.045C140.C2	Free Standing Modular Cabinet W=400mm	400x1400x500 mm
SM.046C140.C2	Free Standing Modular Cabinet W=400mm	400x1400x600 mm
SM.048C140.C2	Free Standing Modular Cabinet W=400mm	400x1400x800 mm
SM.044C160.C2	Free Standing Modular Cabinet W=400mm	400x1600x400 mm
SM.045C160.C2	Free Standing Modular Cabinet W=400mm	400x1600x500 mm
SM.046C160.C2	Free Standing Modular Cabinet W=400mm	400x1600x600 mm
SM.048C160.C2	Free Standing Modular Cabinet W=400mm	400x1600x800 mm
SM.044C180.C2	Free Standing Modular Cabinet W=400mm	400x1800x400 mm
SM.045C180.C2	Free Standing Modular Cabinet W=400mm	400x1800x500 mm
SM.046C180.C2	Free Standing Modular Cabinet W=400mm	400x1800x600 mm
SM.048C180.C2	Free Standing Modular Cabinet W=400mm	400x1800x800 mm
SM.044C200.C2	Free Standing Modular Cabinet W=400mm	400x2000x400 mm
SM.045C200.C2	Free Standing Modular Cabinet W=400mm	400x2000x500 mm
SM.046C200.C2	Free Standing Modular Cabinet W=400mm	400x2000x600 mm
SM.048C200.C2	Free Standing Modular Cabinet W=400mm	400x2000x800 mm
Product code	Product Description W=400 mm	Dimensions (W*H*D)
SM.064C140.C2	Free Standing Modular Cabinet W=600mm	400x1400x400 mm
SM.065C140.C2	Free Standing Modular Cabinet W=600mm	400x1400x500 mm
SM.066C140.C2	Free Standing Modular Cabinet W=600mm	400x1400x600 mm
SM.068C140.C2	Free Standing Modular Cabinet W=600mm	400x1400x800 mm
SM.064C160.C2	Free Standing Modular Cabinet W=600mm	400x1600x400 mm
SM.065C160.C2	Free Standing Modular Cabinet W=600mm	400x1600x500 mm
SM.066C160.C2	Free Standing Modular Cabinet W=600mm	400x1600x600 mm
SM.068C160.C2	Free Standing Modular Cabinet W=600mm	400x1600x800 mm
SM.064C180.C2	Free Standing Modular Cabinet W=600mm	400x1800x400 mm
SM.065C180.C2	Free Standing Modular Cabinet W=600mm	400x1800x500 mm
SM.066C180.C2	Free Standing Modular Cabinet W=600mm	400x1800x600 mm
SM.068C180.C2	Free Standing Modular Cabinet W=600mm	400x1800x800 mm
SM.064C200.C2	Free Standing Modular Cabinet W=600mm	400x2000x400 mm
SM.065C200.C2	Free Standing Modular Cabinet W=600mm	400x2000x500 mm
SM.066C200.C2	Free Standing Modular Cabinet W=600mm	400x2000x600 mm
SM.068C200.C2	Free Standing Modular Cabinet W=600mm	400x2000x800 mm



C0 = Color Code ,C 0 2 refers to Light Gray RAL 7035 and C 0 1 to Black RAL 9005, please add it when ordering !



MONOBLOCK FLOOR TYPE FIELD PANEL

FLOOR TYPE FIELD PANEL



MONOBLOCK FLOOR TYPE | FIELD ENCLOSURE



Product Code	Product Description W=600 D=400-500-600	Dimensions (W*H*D)
SM.MKIP5516U6040.C0	16U IP55 Monoblock Industrial Type Field Panel W=600mm D=400mm	600x900x400mm
SM.MKIP5524U6040.C0	24U IP55 Monoblock Industrial Type Field Panel W=600mm D=400mm	600x1250x400 mm
SM.MKIP5542U6040.C0	42U IP55 Monoblock Industrial Type Field Panel W=600mm D=400mm	600x2000x400 mm
SM.MKIP5516U6050.C0	16U IP55 Monoblock Industrial Type Field Panel W=600mm D=400mm	600x900x500mm
SM.MKIP5524U6050.C0	24U IP55 Monoblock Industrial Type Field Panel W=600mm D=400mm	600x1250x500 mm
SM.MKIP5542U6050.C0	42U IP55 Monoblock Industrial Type Field Panel W=600mm D=400mm	600x2000x500 mm
SM.MKIP5516U6060.C0	16U IP55 Monoblock Industrial Type Field Panel W=600mm D=400mm	600x900x600mm
SM.MKIP5524U6060.C0	24U IP55 Monoblock Industrial Type Field Panel W=600mm D=400mm	600x1250x600 mm
SM.MKIP5542U6060.C0	42U IP55 Monoblock Industrial Type Field Panel W=600mm D=400mm	600x2000x600 mm

C0 = Color Code ,C 0 2 refers to Light Gray RAL 7035 and C 0 1 to Black RAL 9005, please add it when ordering !



SECURITY CAMERA CABINET



SECURITY | CAMERA CABINET

SEMY-Security (Urban Security Management System) cabinets protect your valuable and sensitive equipment with the developed pole type Mobese designs. It is resistant to rain, snow, wind, sunlight and earthquake. Thanks to its high resistance to corrosion, it provides effective protection against environmental effects for your technological investments. Armor or insulation material is used on the wall.

Due to environmental and regional conditions, using a double-walled and insulated structure in the panels is an effective solution against the heat problem of the panel. Through the filtered grids on the body, it allows the cold clean air from the outside to enter the panel and to reduce the internal temperature of the panel with natural diffusion. Circulation fans are fans that discharge the air inside the panel. It lowers the temperature and prevents heat condensation that can damage active devices.

Technical Specifications

Outer wall (1.5mm, DX51D+Zn275 galvanized steel material) and inner wall (1.0mm DX51D+Zn275 galvanized steel material)
External surface: nano technology, high corrosion resistant polyester external type electrostatic powder paint.
Internal surface: galvanized steel material
 Radius oval or 90° corner and cap structure
 Filter and ventilation system
Easy post mounting with 2 alternatives: Heavy duty – Economic clamp type
 4 camera mounting areas
 4 x W automat (DIN) rails
 Movable UPS rack and modem-device-switch rack
 Auto LED lighting module (supplied as accessory)
Color: RAL7035 light gray
 WK2 standard antivandal 3-point locking lever lock and gasketed front cover with lock system
 Door switch (supplied as accessory)
 Cable management hooks (supplied as accessories)



SOCKET TYPE CABLE ENTRY (90 DEGREE SHIELDED PIPE TYPE AND 45 DEGREE ANGLED SHIELDED TUBE TYPE SUPPLIED AS ACCESSORIES)

Product Code	Product Description W=400 D=250 mm	Dimensions (W*H*D)	Product Kg
SM.MOB.S.C2	POLE TYPE SAFETY CABINET WITH RADIUS W=400 H=500 D=250	400x500x250 mm	22 kg
Product Code	Product Description W=600 D=300 mm	Dimensions (W*H*D)	Product Kg
SM.MOB.M.C2	POLE TYPE SAFETY CABINET WITH RADIUS W=600 H=550 D=300	600x550x300 mm	33 kg
Product Code	Product Description W=600 D=4t50 mm	Dimensions (W*H*D)	Product Kg
SM.MOB.L.C2	POLE TYPE SAFETY CABINET WITH RADIUS W=650 H=725 D=450	650x725x450 mm	58 kg

C0 = Color Code, C 0 2 refers to Light Gray RAL 7035 and C 0 1 to Black RAL 9005, please add it when ordering!



KGYS | CITY SECURITY CABINET

CITY SECURITY MANAGEMENT SYSTEM



KGYS; in order to ensure public order, to eliminate threats to internal security and to carry out the audit task more effectively; It is a modularly developed information system that enables the transmission of meaningful results by processing the images obtained in accordance with the legislation and the support of the results with polynet applications. Visual information obtains simultaneously; These are the structures that preserve the equipment that enables them to be stored and monitored as evidence, and to make the necessary records and actions about the alarms obtained automatically or as a result of monitoring. It is a design in accordance with KGYS specification.



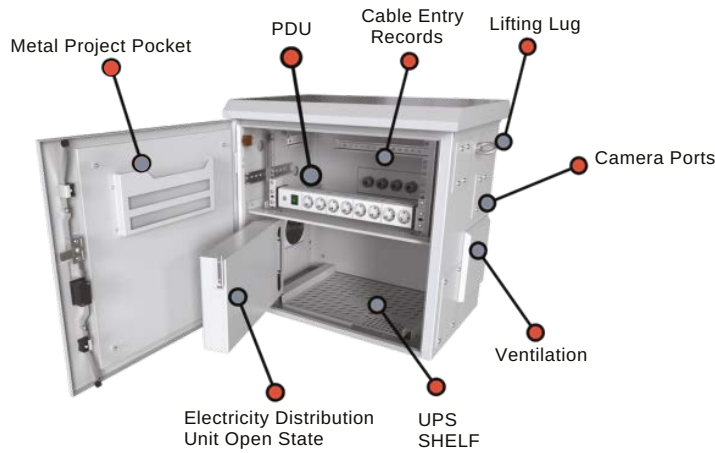
POLE TYPE

KGYS Electricity Distribution Unit

It is a product that has been specially designed for switchgear materials and provides ease of assembly with its hinged structure. The electrical distribution unit can be completely disassembled and electrical connections can be made outside and integrated into the panel later.



Electricity Distribution Unit



KGYS Electricity Distribution Unit Closed State

Product Code	Product Description	Dimensions (W*H*D)	Product Kg
SM.IP6612UY6045.KGY.C0	KGYS Ground Type Field Safety Panel	600x740x450 mm	57 kg
SM.IP6612UD6045.KGY.C0	KGYS Pole Type Field Safety Panel	600x640x450 mm	52 kg

C0 = Color Code ,C 0 2 refers to Light Gray RAL 7035 and C 0 1 to Black RAL 9005, please add it when ordering !



SIGNALIZATION BOARD

SIGNALIZATION | INTERCHANGE CONTROL PANEL



Signalization Board: Designed for intersection control systems.

It provides IP55 sealing class and is under protection against water and dust.

Three point locking system.

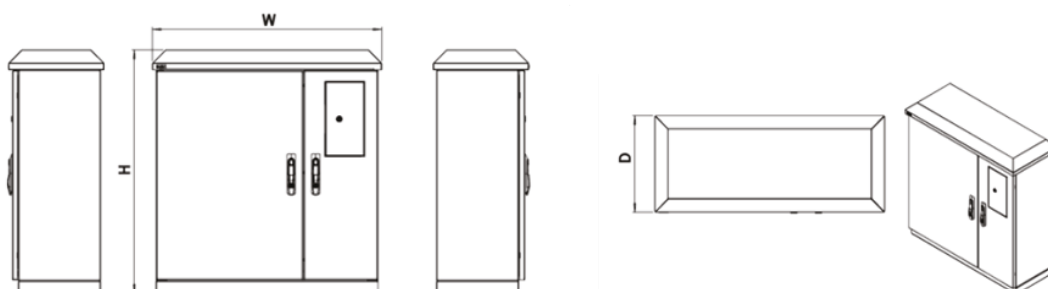
Stopper mechanism on the outer door for ease of working in windy weather.

Concealed hinge system is protected against Vandalism.

The wide cover of the double-door wide panel type panel positions the electrical and electronic devices of the system. The narrow cover part is designed for electricity and electricity meter.

Technical data

Material: Steel sheet
 Width: 650mm
 Height: 950mm
 Depth: 400mm
 Color: RAL 7035 light gray
 Lock: three points against vandalism metal front cover)
 Screwed rear floor plate
 Robust design
 Extra space efficiency
 1 fan module
 Front device mounting strut
 Disassembled option available
 Various features that make installation easy
 Maximum Static Load up to 80 kg.



Product Code	Product Description Signaling Board	Dimensions (W*H*D)	Product Kg
SM.IP6612UY6045.KGY.C0	Signalization Panel W=650 H=950 D=400mm	650x950x400 mm	95 kg

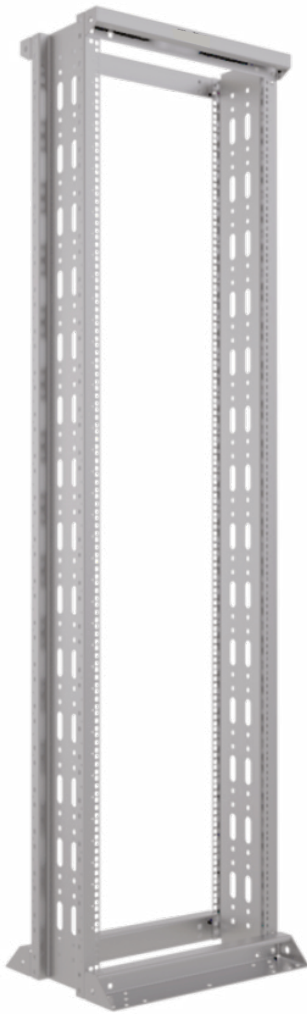
C0 = Color Code ,C 0 2 refers to Light Gray RAL 7035 and C 0 1 to Black RAL 9005, please add it when ordering !



OPEN SYSTEM CABINET



OPEN SYSTEM | OPEN SYSTEM CABINET



Open System Roofs: designed to be used where easy access to devices and system is required. It is suitable for use in clean, safe, air-conditioned environments. It can be used in network solutions as well as as a server cabinet.

It has a safe, solid steel construction structure, 6 twisted solid carrier profile structure, easy cabling, high quality production, modular structure, economic transportation and ease of shipment.

Open System Roofs are suitable for wearing top hats when desired. Optionally, it is shipped as assembled or demounted.

GENERAL FEATURES

300 kg load carrying capacity

Wide measuring range; 16U/22U/26U/36U/42U/47U Width; 536mm.

Single roof for 19" front mounting

Depth for single roofs 80mm-160mm

Standard colors; RAL 9005 Black & RAL 7035 Light Gray Corner profiles are suitable for the use of standard accessory cable loops.

It has pinion feet as standard.

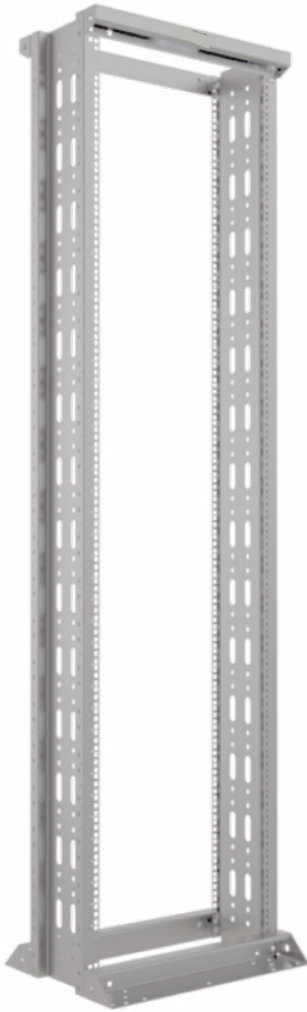
Provides easy and fast access to equipment. modular

Product Code	Product Description D= 80 mm	Dimensions (W*H*D)	Product Code	Product Description D= 160 mm	Dimensions (W*H*D)
SM.OPR16US80.C0	16U Single Open System D=80mm	540x710x80mm	SM.OPR16US160.C0	16U Single Open System D=160mm	540x710x160mm
SM.OPR26US80.C0	26U Single Open System D=80mm	540x1200x80mm	SM.OPR26US160.C0	26U Single Open System D=160mm	540x1200x160mm
SM.OPR36US80.C0	36U Single Open System D=80mm	540x1700x80mm	SM.OPR36US160.C0	36U Single Open System D=160mm	540x1700x160mm
SM.OPR42US80.C0	42U Single Open System D=80mm	540x2000x80mm	SM.OPR42US160.C0	42U Single Open System D=160mm	540x2000x160mm
SM.OPR47US80.C0	47U Single Open System D=80mm	540x2190x80mm	SM.OPR47US160.C0	47U Single Open System D=160mm	540x2190x160mm

C0 = Color Code ,C 0 2 refers to Light Gray RAL 7035 and C 0 1 to Black RAL 9005, please add it when ordering !



OPEN SYSTEM | OPEN SYSTEM CABINET



Open System Roofs: designed to be used where easy access to devices and system is required. It is suitable for use in clean, safe, air-conditioned environments. It can be used in network solutions as well as as a server cabinet.

It has a safe, solid steel construction structure, 6 twisted solid carrier profile structure, easy cabling, high quality production, modular structure, economic transportation and ease of shipment.

Open System Roofs are suitable for wearing top hats when desired. Optionally, it is shipped as assembled or demounted.

Color options are RAL 7035 light gray and RAL 9005 black.

GENERAL FEATURES

It is designed for mounting 9" standard devices.

300 kg load carrying capacity

Wide measuring range; 16U/22U/26U/36U/42U/47U Width; 536mm.

Single roof for 19" front mounting

Depth for single roofs 640 mm.

Double roofs 180 mm. 820 mm with additional unit. reaches depth.

Double roofs 300 mm. 940 mm with additional unit. reaches depth.

Standard colors; RAL 9005 Black & RAL 7035 Light Gray Corner profiles are suitable for the use of standard accessory cable loops.

It has pinion feet as standard.

Provides easy and fast access to equipment. Disassembled option is available.

Product Code	Product Description D= 450 mm	Dimensions (W*H*D)	Product Code	Product Description D= 600 mm	Dimensions (W*H*D)
SM.OPR16US45.C0	16U Double Roof Open System D=450mm	540x710x450mm	SM.OPR16UD60.C0	16U Double Roof Open System D=600mm	540x710x600mm
SM.OPR26US45.C0	26U Double Roof Open System D=450mm	540x1200x450mm	SM.OPR26UD60.C0	26U Double Roof Open System D=600mm	540x1200x600mm
SM.OPR36US45.C0	36U Double Roof Open System D=450mm	540x1700x450mm	SM.OPR36UD60.C0	36U Double Roof Open System D=600mm	540x1700x600mm
SM.OPR42US45.C0	42U Double Roof Open System D=450mm	540x2000x450mm	SM.OPR42UD60.C0	42U Double Roof Open System D=600mm	540x2000x600mm
SM.OPR47US45.C0	47U Double Roof Open System D=450mm	540x2190x450mm	SM.OPR47UD60.C0	47U Double Roof Open System D=600mm	540x2190x600mm
Product Code	Product Description D= 800 mm	Dimensions (W*H*D)	Product Code	Product Description D= 1000 mm	Dimensions (W*H*D)
SM.OPR16UD80.C0	16U Double Roof Open System D=800mm	540x710x800mm	SM.OPR16UD100.C0	16U Double Roof Open System D=1000mm	540x710x100mm
SM.OPR26UD80.C0	26U Double Roof Open System D=800mm	540x1200x800mm	SM.OPR26UD100.C0	26U Double Roof Open System D=1000mm	540x1200x100mm
SM.OPR36UD80.C0	36U Double Roof Open System D=800mm	540x1700x800mm	SM.OPR36UD100.C0	36U Double Roof Open System D=1000mm	540x1700x100mm
SM.OPR42UD80.C0	42U Double Roof Open System D=800mm	540x2000x800mm	SM.OPR42UD100.C0	42U Double Roof Open System D=1000mm	540x2000x100mm
SM.OPR47UD80.C0	47U Double Roof Open System D=800mm	540x2190x800mm	SM.OPR47UD100.C0	47U Double Roof Open System D=1000mm	540x2190x100mm

C0 = Color Code ,C 0 2 refers to Light Gray RAL 7035 and C 0 1 to Black RAL 9005, please add it when ordering !



OPEN SYSTEM SWING | RACK CABINET



Swing open system: floor and wall mounted cabinet swing opening series offers a unique structure with its wheeled opening and closing frame structure. It has a carrying capacity of up to 300kg in open mode. Provides the ability to mount equipment when mounting space is limited or unavailable. rear section, easy access from the mounting section for field mounting. The front frame is reversible for right or left opening. Designed for 19" mounted equipment. Front 19", rear 19" structure.

Technical Specifications

Material: 2mm Steel sheet

4 profile pairs

Width: 540mm

Height: 4 different U heights; 16U,26U, 36U, 42U

Color options: RAL 9005 black or RAL 7035 light gray

Assembled or disassembled shipment

pinion feet

Easy assembling

Strong design

Compatibility with all standard 19" devices such as DELL, HP and IBM

Various features that make installation easy

Loading capacity: 300kg



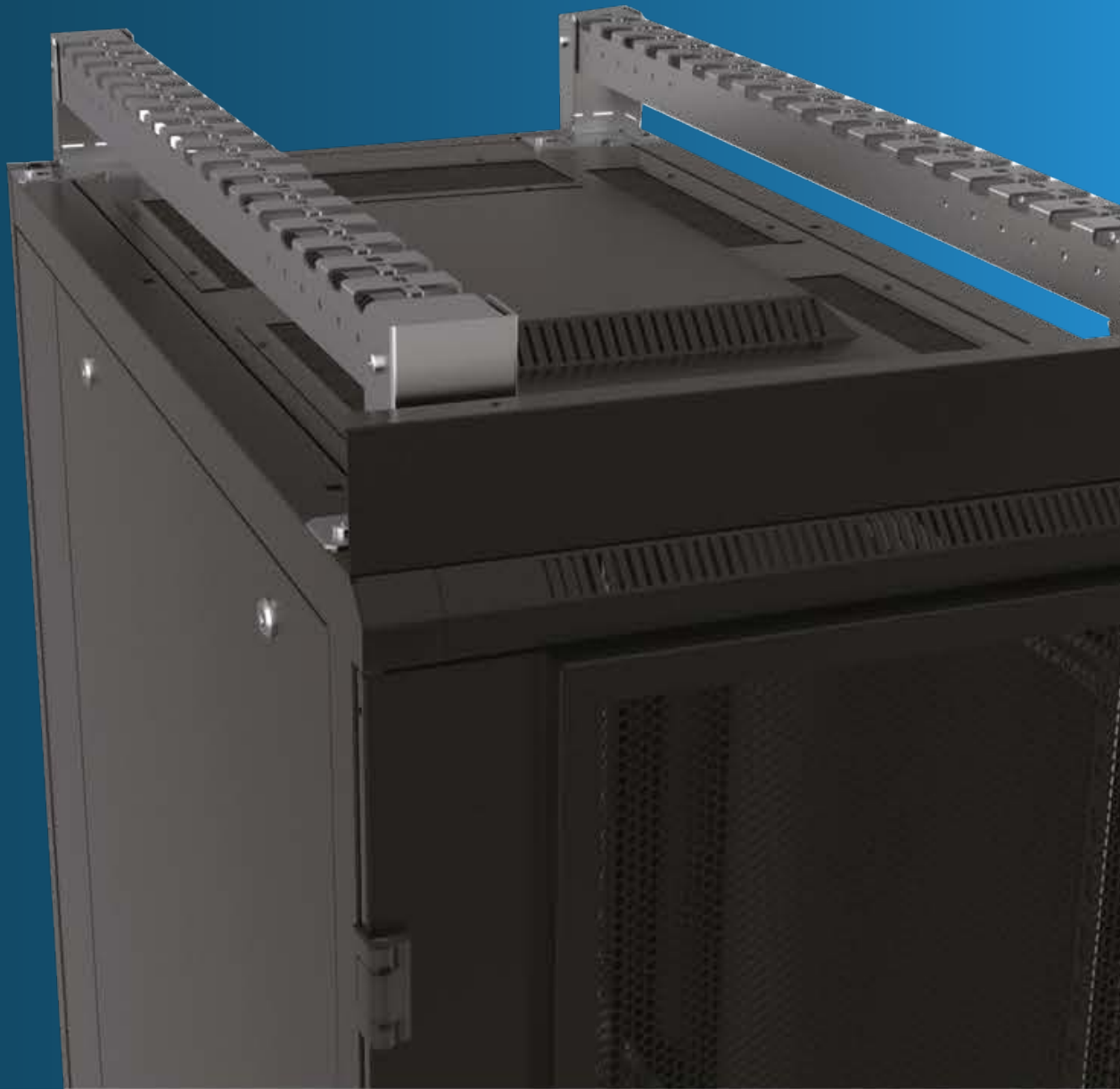
Product Code	Product Description D= 640 mm	Dimensions (W*H*D)
SM.OPS16U640.C0	16U SWING OPEN SYSTEM CABINET D=640 MM	540x885x640 mm
SM.OPS22U640.C0	22U SWING OPEN SYSTEM CABINET D=640 MM	540x1150x640 mm
SM.OPS26U640.C0	26U SWING OPEN SYSTEM CABINET D=640 MM	540x1330x640 mm
SM.OPS32U640.C0	32U SWING OPEN SYSTEM CABINET D=640 MM	540x1775x640 mm
SM.OPS36U640.C0	36U SWING OPEN SYSTEM CABINET D=640 MM	540x1955x640 mm
SM.OPS42TU640.C0	42U SWING OPEN SYSTEM CABINET D=640 MM	540x2040x640 mm

C0 = Color Code ,C 0 2 refers to Light Gray RAL 7035 and C 0 1 to Black RAL 9005, please add it when ordering !



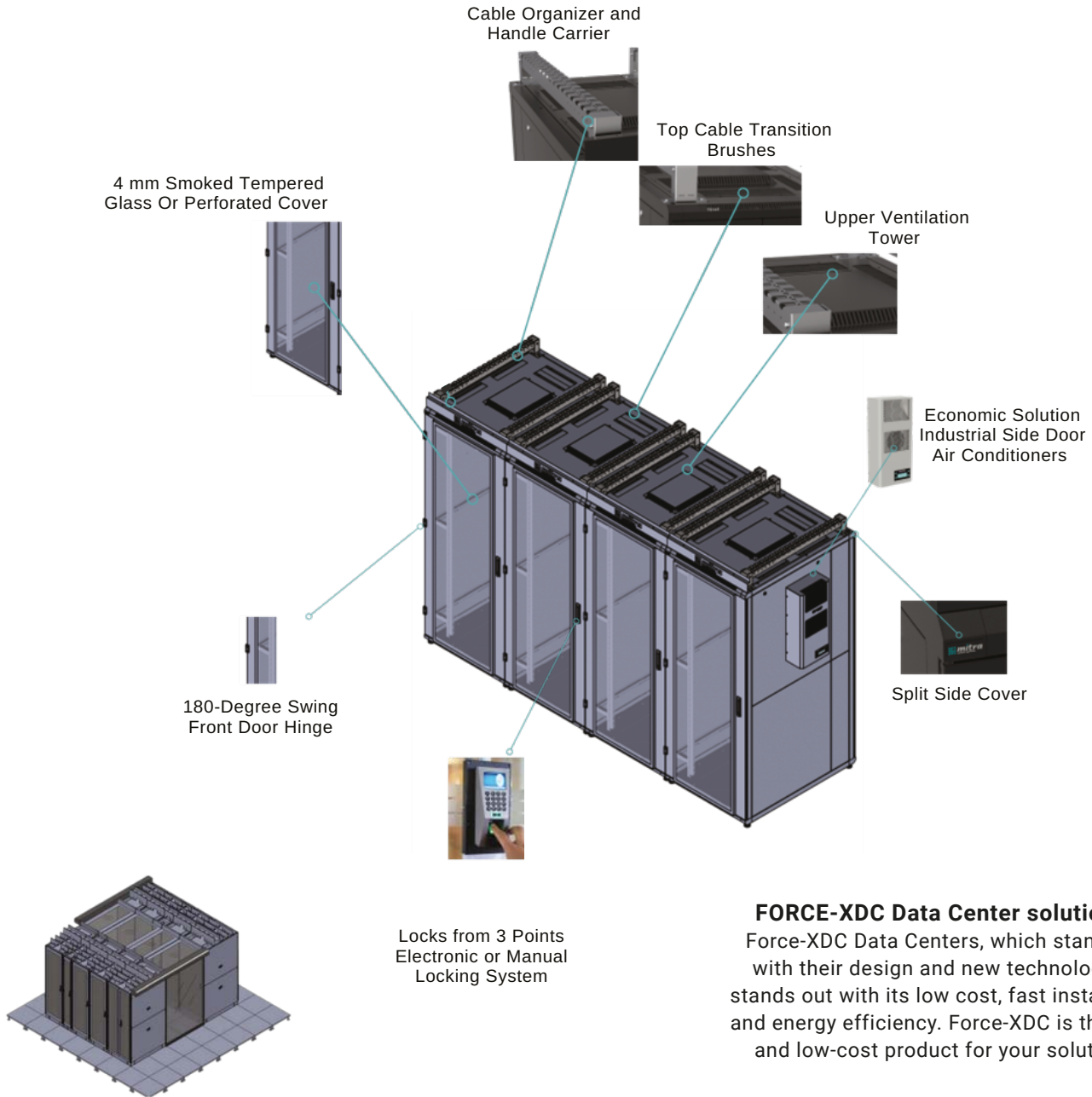
FORCE-XDC T

FORCE-XDC DATA CENTER SOLUTIONS

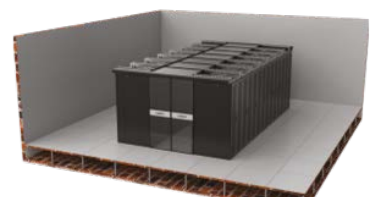
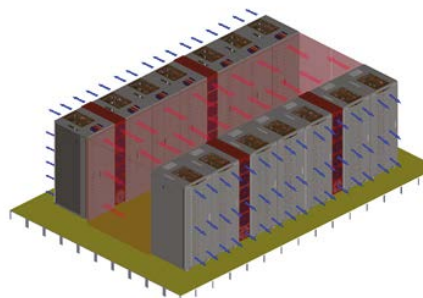
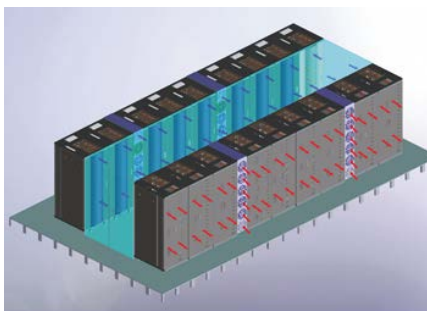


FORCE-XDC T

FORCE-XDC | DATA CENTER SOLUTIONS

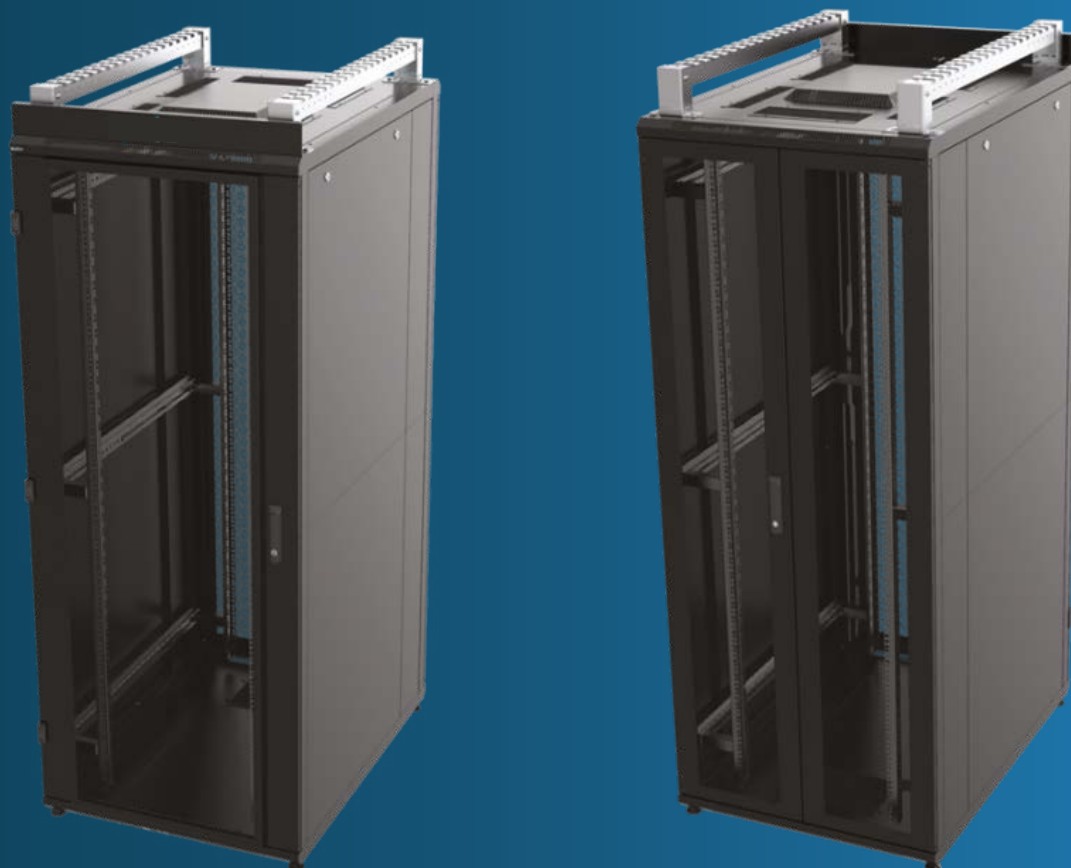


FORCE-XDC Data Center solutions:
Force-XDC Data Centers, which stand out with their design and new technology; It stands out with its low cost, fast installation and energy efficiency. Force-XDC is the right and low-cost product for your solutions



FORCE-XDC DATA CENTER

FORCE-XDC | DATA CENTER SOLUTIONS



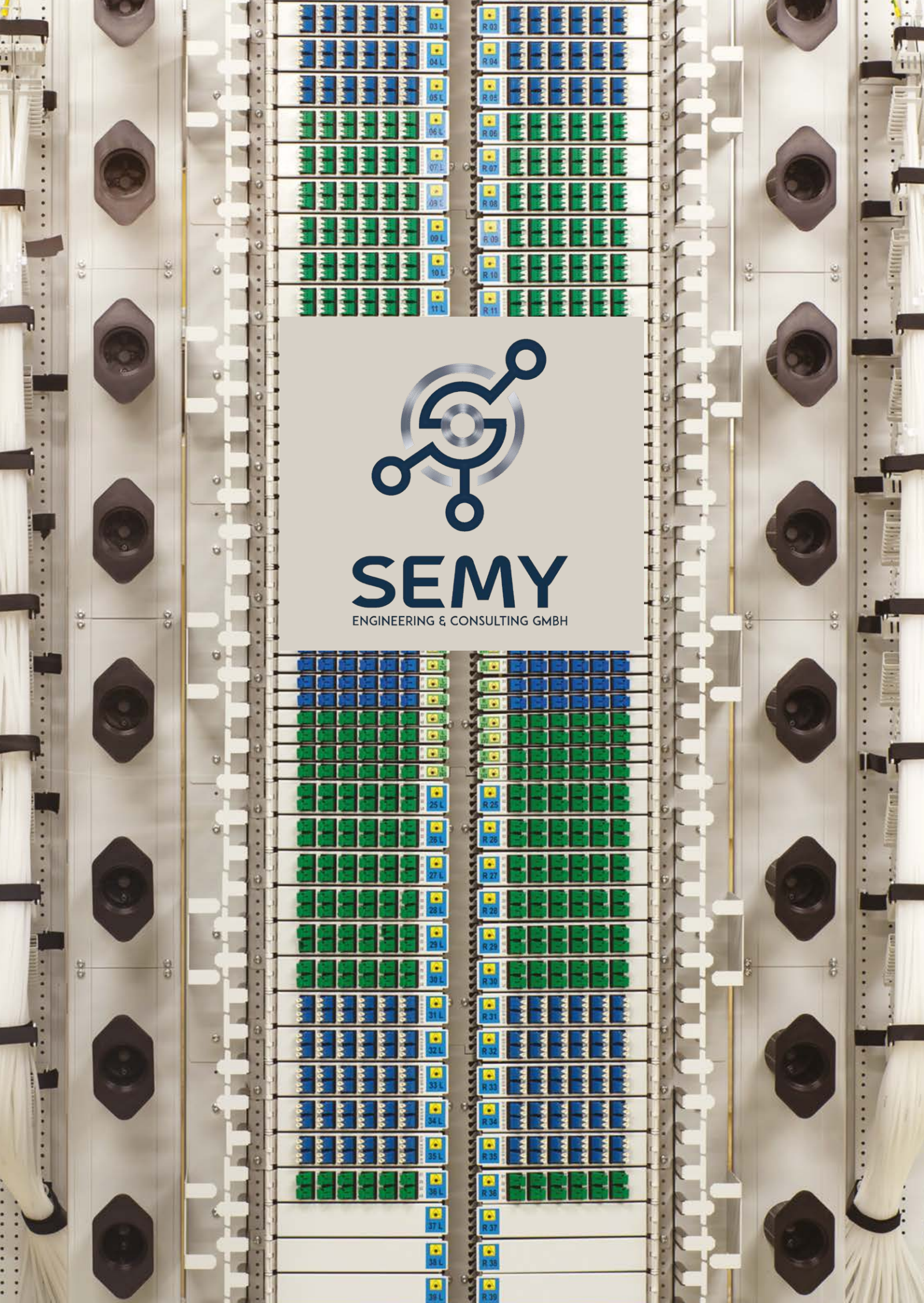
Product Code	Product Description W=800 D=1000 mm	Dimensions (W*H*D)	Product Kg
SM.FORDC42U81.C0	42U 800x1000 front & rear 80% perforated cover Force-DC Data Center	800x1890x1000 mm	130 kg
SM.FORDC47U81.C0	47U 800x1000 front & rear 80% perforated cover Force-DC Data Center	800x2110x1000 mm	140 kg
Product Code	Product Description W=800 D=1100 mm	Dimensions (W*H*D)	Product Kg
SM.FORDC42U81.C0	42U 800x1100 front & rear 80% perforated cover Force-DC Data Center	800x1890x1100 mm	130 kg
SM.FORDC47U81.C0	47U 800x1100 front & rear 80% perforated cover Force-DC Data Center	800x1890x1100 mm	140kg
Product Code	Product Description W=800 D=1200 mm	Dimensions (W*H*D)	Product Kg
SM.FORDC42U81.C0	42U 800x1200 front & rear 80% perforated cover Force-DC Data Center	800x1890x1200 mm	130 kg
SM.FORDC47U81.C0	47U 800x1200 front & rear 80% perforated cover Force-DC Data Center	800x1890x1200 mmt	140kg

C0 = Color Code ,C 0 2 refers to Light Gray RAL 7035 and C 0 1 to Black RAL 9005, please add it when ordering !





SEMY
ENGINEERING & CONSULTING GMBH



F-CENTER | STANDING TYPE FIBER OPTIC CABINET

F-CENTER: Fiber Optic Distribution Features

Fiber Optic Distribution Frame conforms to standard 19 and ETSI installations.

Fiber ODF is designed to be used with High density side access type modules.

2016 port maximum fiber capacity (splice & patch) and superior cable management.

F-CENTER Optical distribution roof has special cable glands to fix the maximum number of cable bundles. Special miniflex tubes or feeding modules.

F-CENTER Optical distribution frame provides maximum protection against crushing and straining for fiber cables.

Wide variety of splice, patch and cable storage options

Critical bend radius protection of 35mm across all roof and fiber modules
Maximum cable protection
Interchangeable additional cassettes for various cable counts and adapter types.

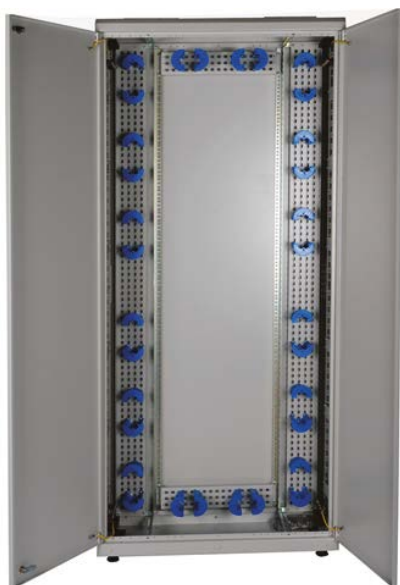
F-CENTER: WDM and splitter can be attached to the optical distribution frame. Integrated patchcord management and storage.

Capacity Information:

14 x 3U Modules on 47U roof

LC, SC, FC, ST, MTRJ, E-2000 adapter types

The ODF optical distribution frame complies with Telcordia Specification GR-449.



F-CENTER: Indoor Fiber Distribution Cabinets have an extremely robust and strong structure that allows them to be used in all applications. ODF offers cost-effective and assembly-friendly solutions for a multitude of applications in the fiber field. It is configurable to end-user requirements and offers unique features to benefit system designers, installers and network administrators. The fully assembled standard cabinet can be delivered with or without a side cover. The F-CENTER optical distribution frame offers the highest possible capacity and superior cabling with flexible cabling access, an expandable roof concept, integrated cable management and future-proof modular expansion. The high density side access type module is also designed to suit various types of fiber termination, splice, patching and storage applications.

F-CENTER Application Areas:

Fiber transmission networks, Telecom backbone infrastructure, FTTX and GPON applications, High-capacity data centers, fiber infrastructures of government institutions.



Product Code	Product Description W=900 D=300 mm	Dimensions (W*H*D)	Product Kg
SM.ODF12U90.C0	12U Free Standing ODF Cabinet W=900mm D=300mm	900x720x300 mm	34 kg
SM.ODF26U90.C0	26U Free Standing ODF Cabinet W=900mm D=300mm	900x1345x300 mm	58 kg
SM.ODF42U90.C0	42U Free Standing ODF Cabinet W=900mm D=300mm	900x2055x300 mm	88 kg
SM.ODF47U90.C0	47U Free Standing ODF Cabinet W=900mm D=300mm	900x2230x300 mm	100 kg

C0 = Color Code ,C 0 2 refers to Light Gray RAL 7035 and C 0 1 to Black RAL 9005, please add it when ordering !





SEMY

ENGINEERING & CONSULTING GMBH



Billing address

Hilschergasse 9/1, Tür 19
1120 Wien



Delivery Address

Logistikstraße 7, C12
2201 Hagenbrunn

 www.semy.at


+43 676 4040215
+43 660 1100811

 office@semy.at